
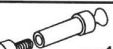



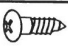
1	2100x550	1	1/7
2	2100x579	1	1/7
3	2100x535	2	2,3/7
4	827x535	2	5/7
5	986x535	1	5/7
6	827x535	2	4/7
7	986x535	1	3/7
8	827x500	2	4/7
9	986x500	1	3/7
10	827x50	4	5/7
11	986x50	2	5/7
12	2027x836	2	2/7
13	2027x994	1	2/7
15	1360x513	2	6,7/7
16	800x513	2	6,7/7
17	1537x560	2	6,7/7
18	800x1024	2	6,7/7
19	2050x38	3	1/7
20	2050x20	1	1/7
21	2668	1	2/7
22	2664	1	2/7


Nr 1


T6  x12


T25  $\phi 5\text{mm}$ x12


M6  x24

P16  4,2x13 x24


F7  x6


S12  3,0x13 x6


M91  x36

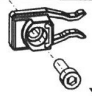
F15  x20

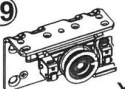
Nr 2


E37  x1


E44  1L/1R x2


E38  x1


E46  x2

E039  x1


E47  1L/1R x2


E040  x1

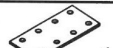
E42  x2

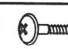
E43  x2


Nr 3

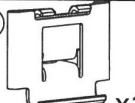
E21  6,3x11 x16+8

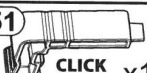
S8  4x13 x4

F59  110x50x1,5 x18


P11  4x13 x144

E52  x2

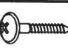
E50  x1

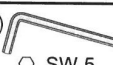
E51  CLICK x1

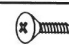
Nr 4

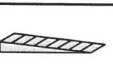
L5  L=2050 mm x2


Nr 5

P13  3,5x13 mm x32


G8  SW 5 x1


S3  3,5x13 x14+11

L4  x4


C60  x3

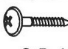
Nr 6


F33  x18


P13  3,5x13 mm x72


Nr 7


J11  x2


P13  3,5x13 x4


T13  8x50 mm x2


T14  6x50 mm x2

E53 + E54 

E54 

E53  x1+1

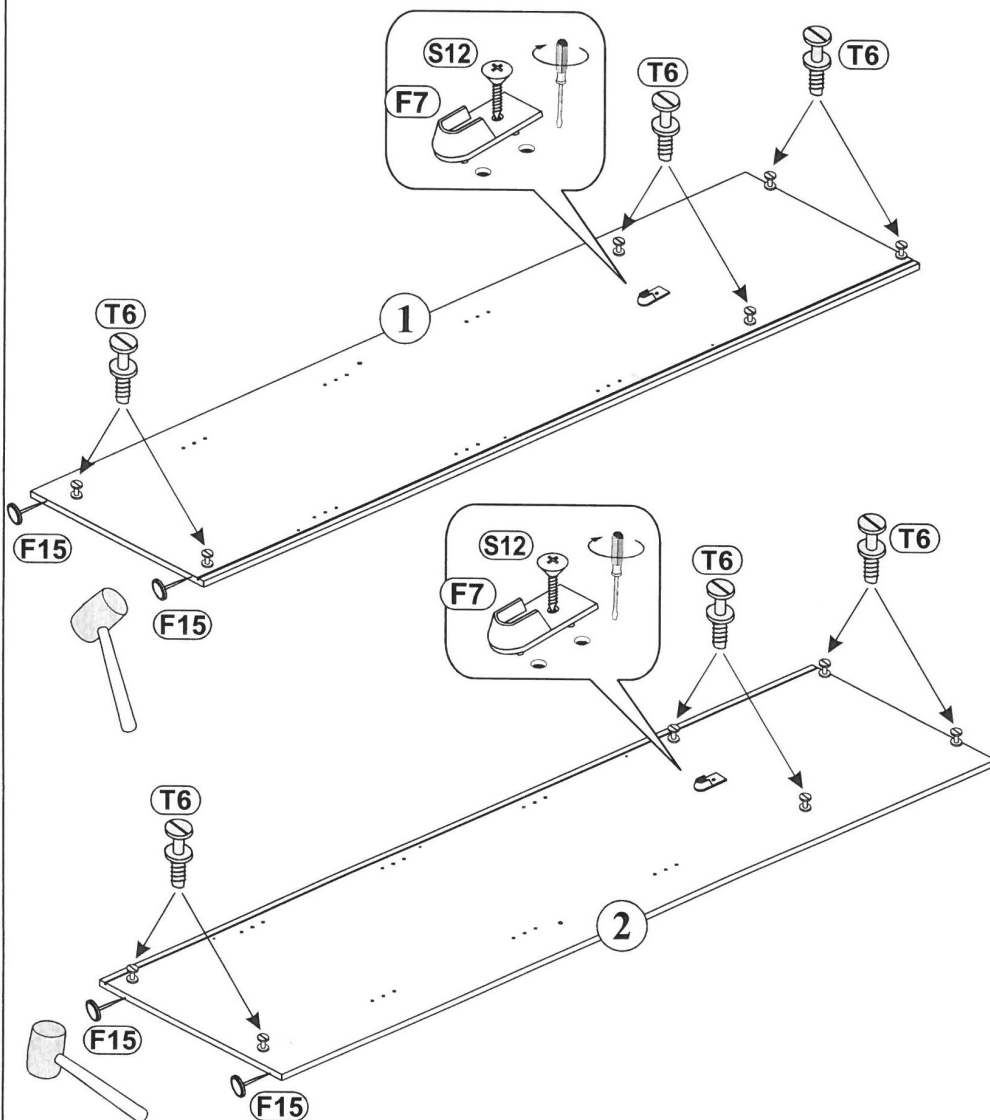
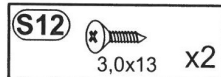
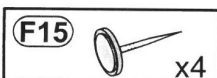
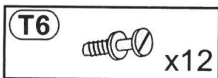
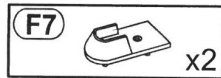
J20  L=820mm x2

J21  L=978mm x1

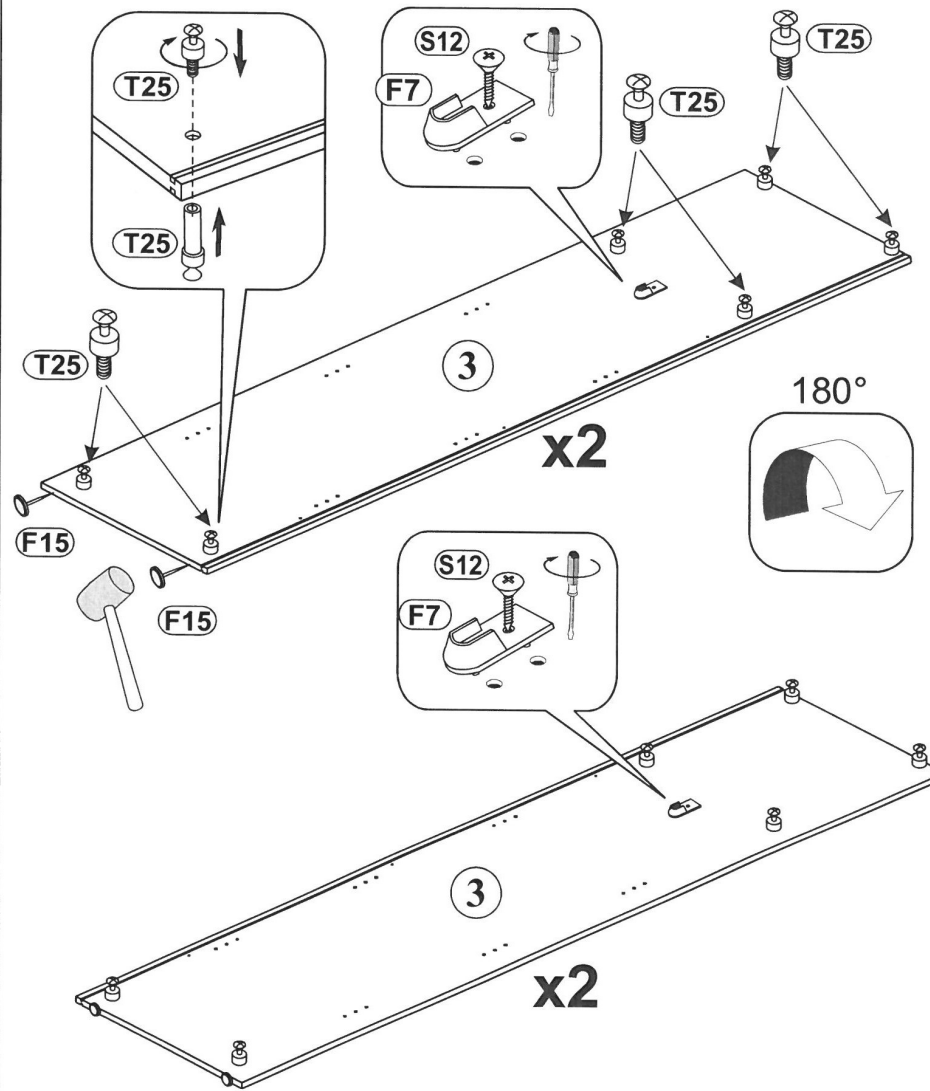
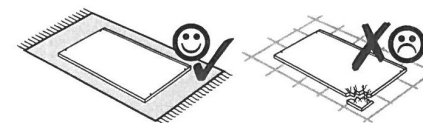
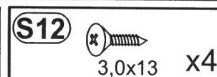
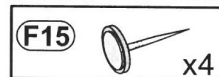
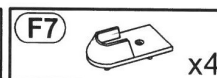
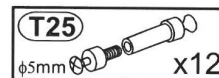
C 4/7



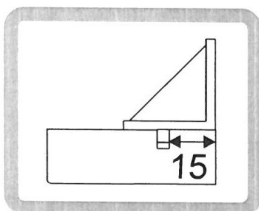
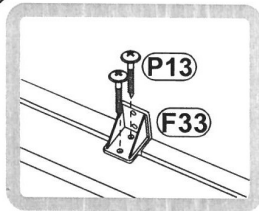
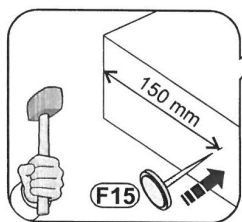
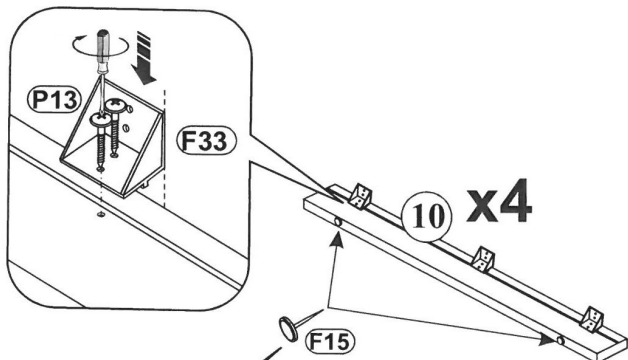
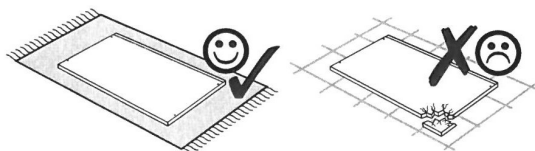
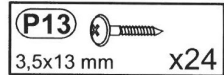
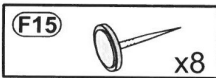
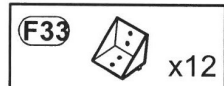
1



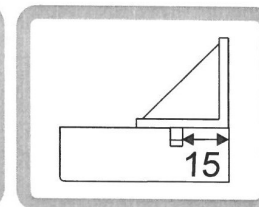
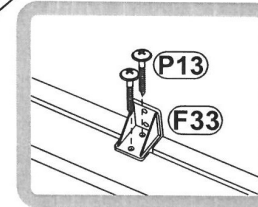
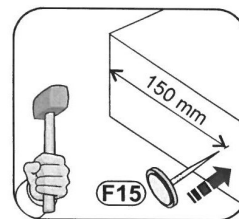
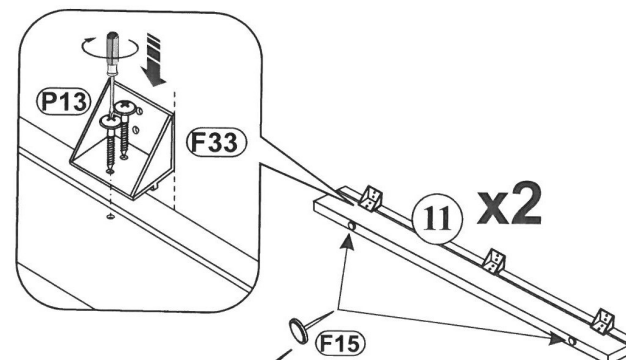
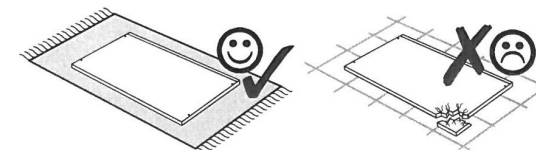
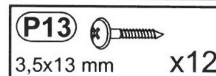
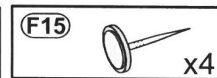
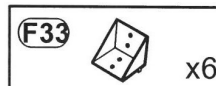
2



3



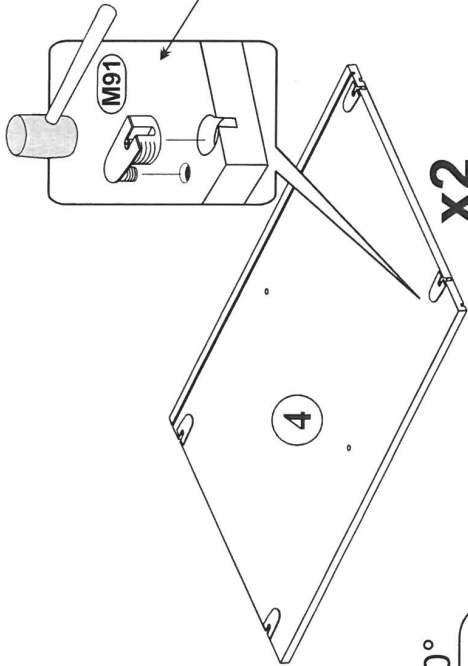
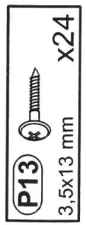
4



ATLANTA

8X--AT 02

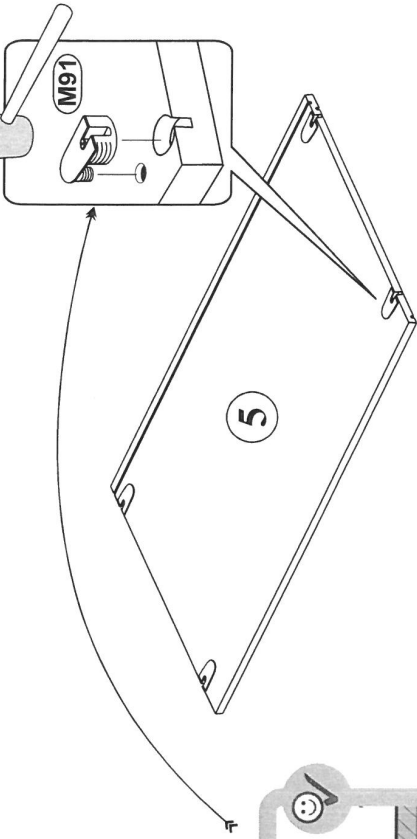
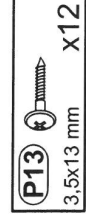
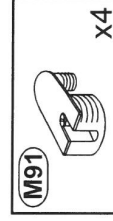
5



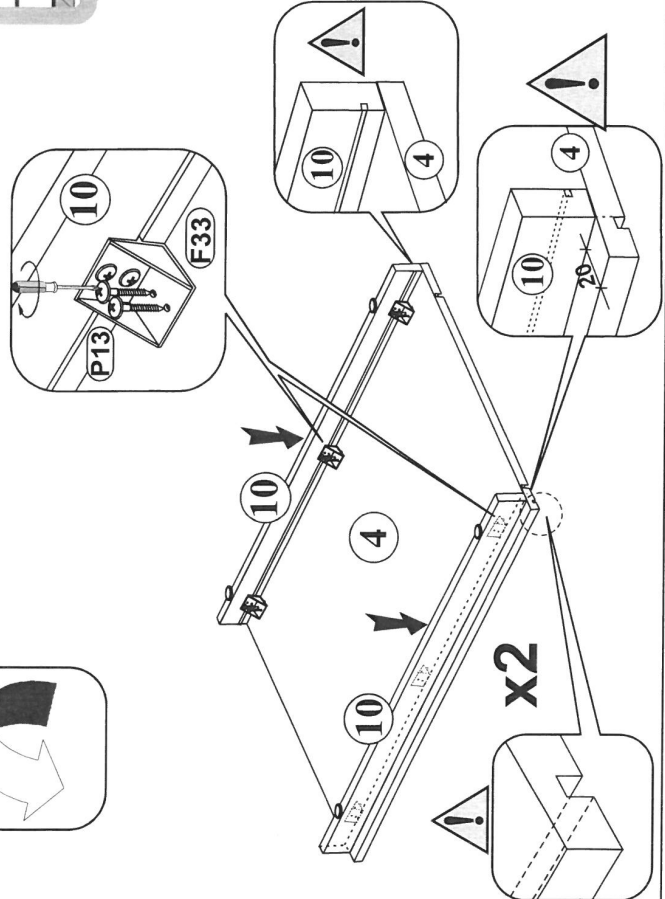
180°

x2

6

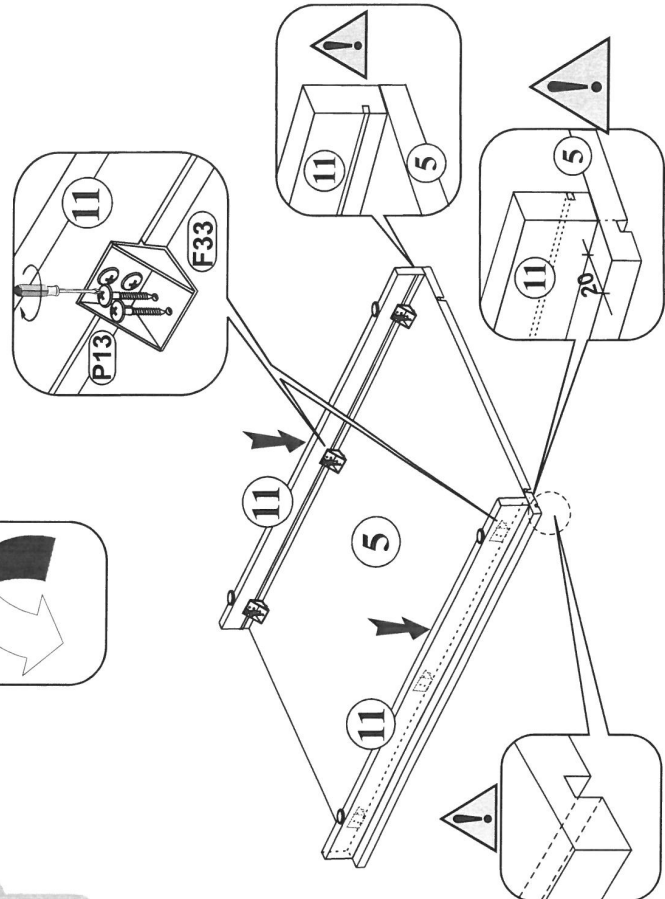


180°



180°

x2

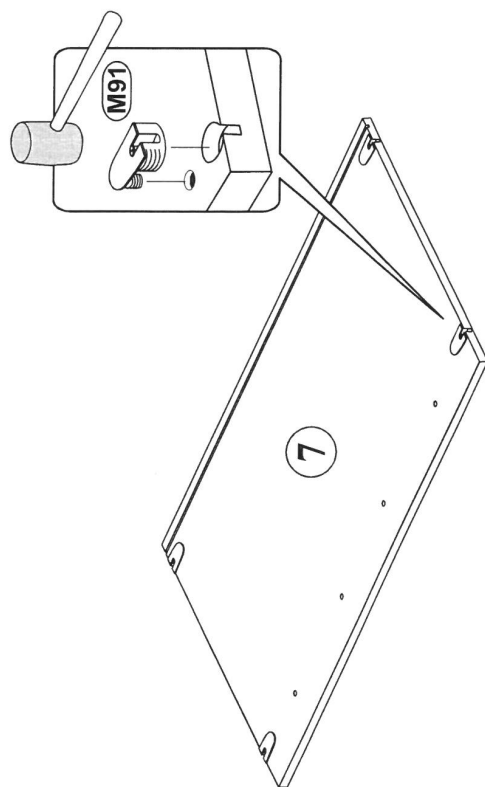
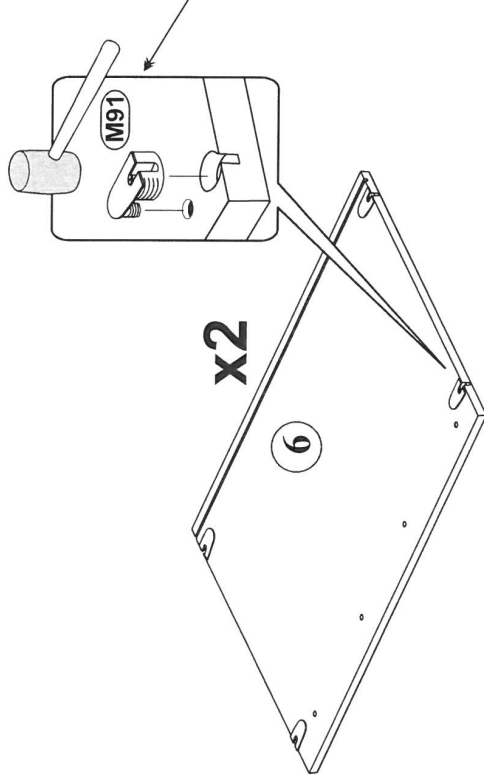


180°

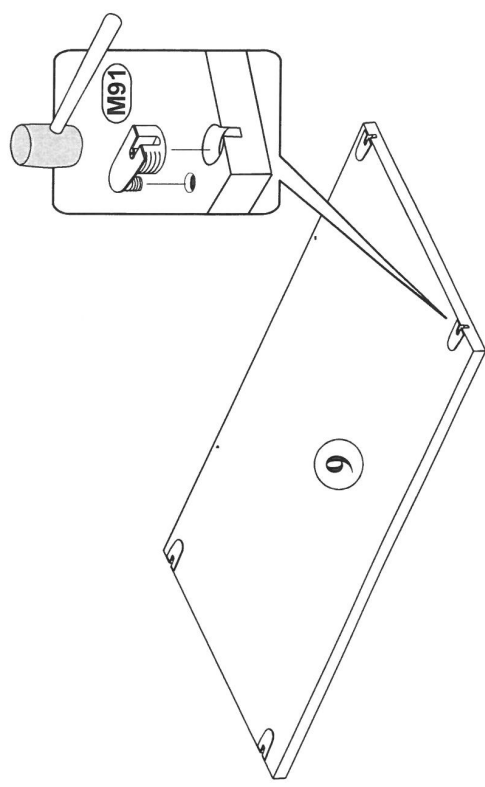
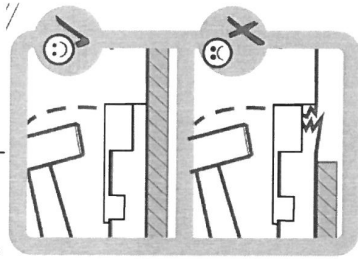
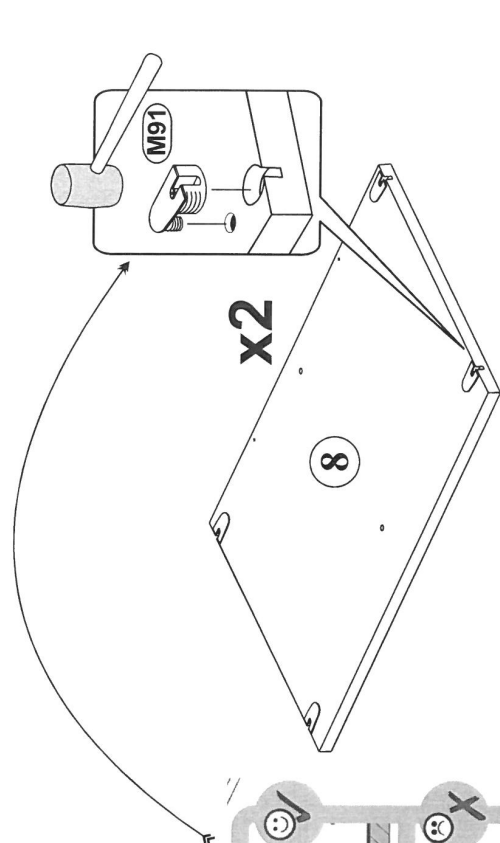
x4

x12

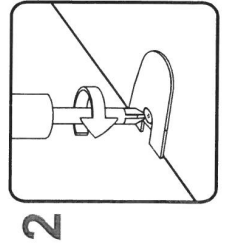
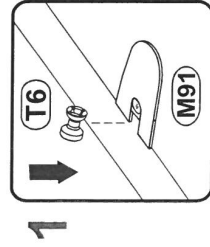
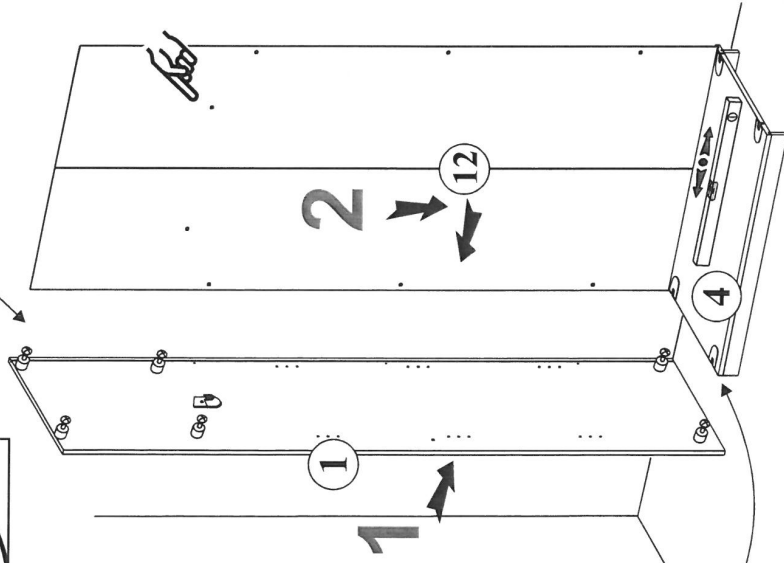
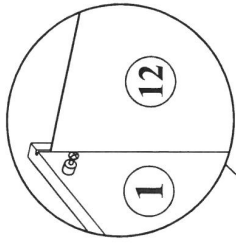
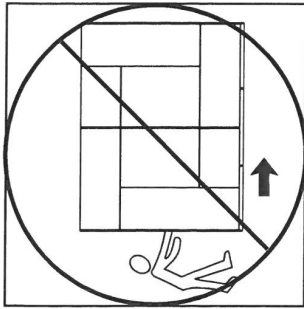
7



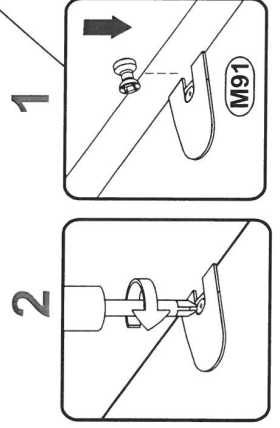
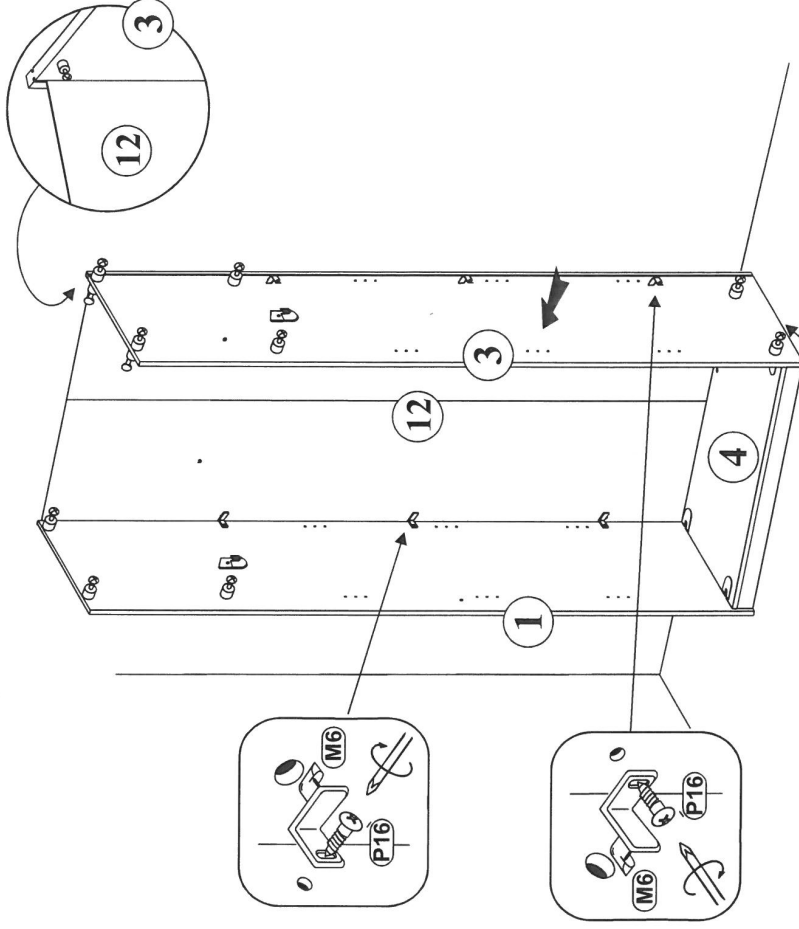
8



9



10

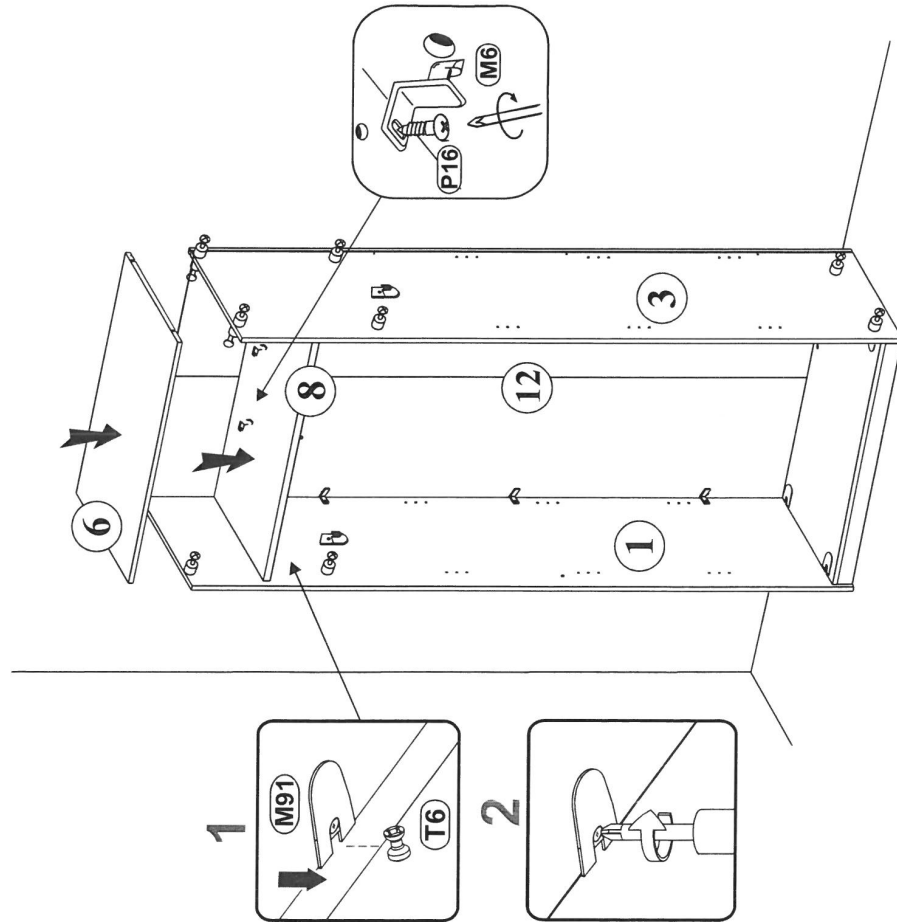
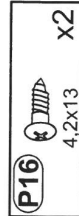


ATLANTA

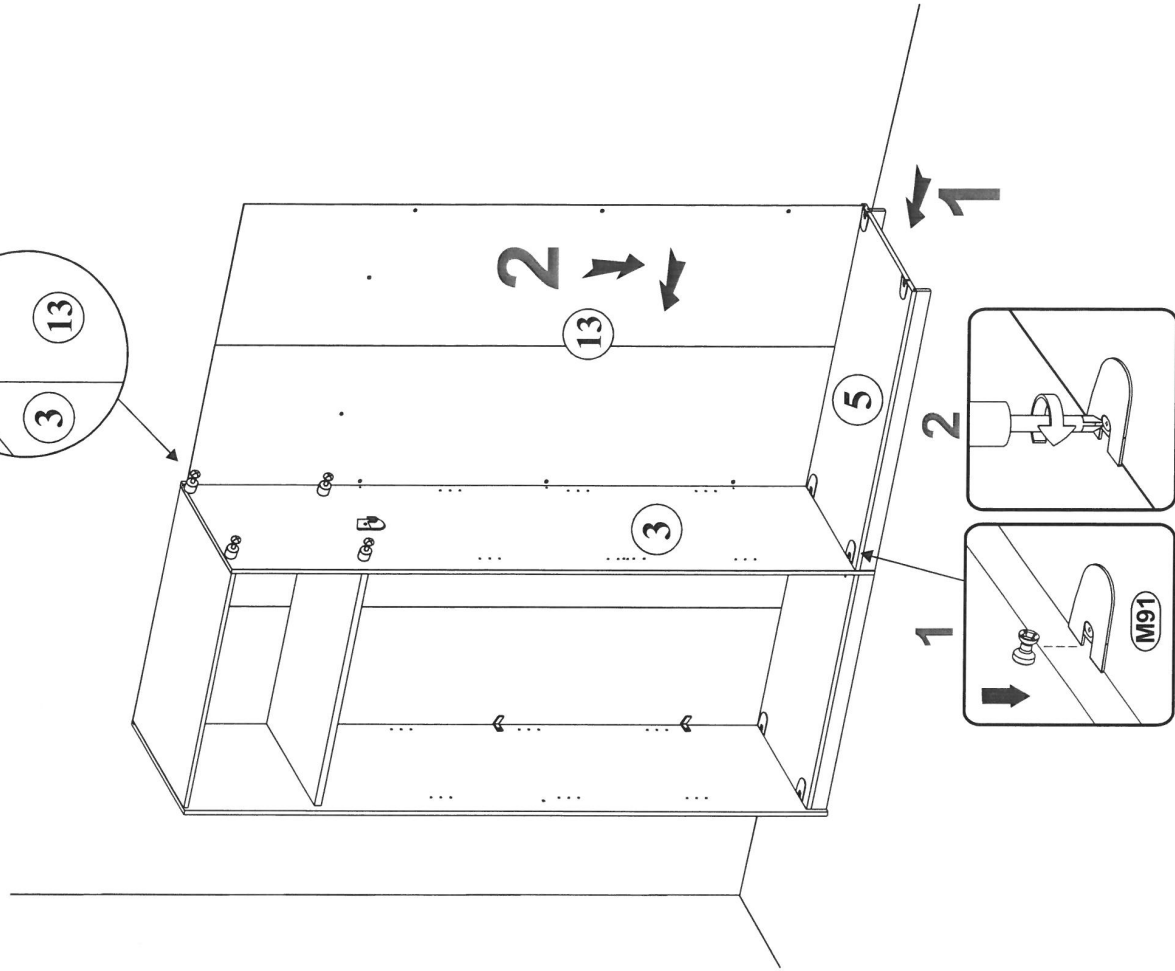
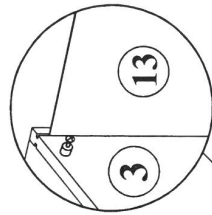
8X--AT 02

9 / 26

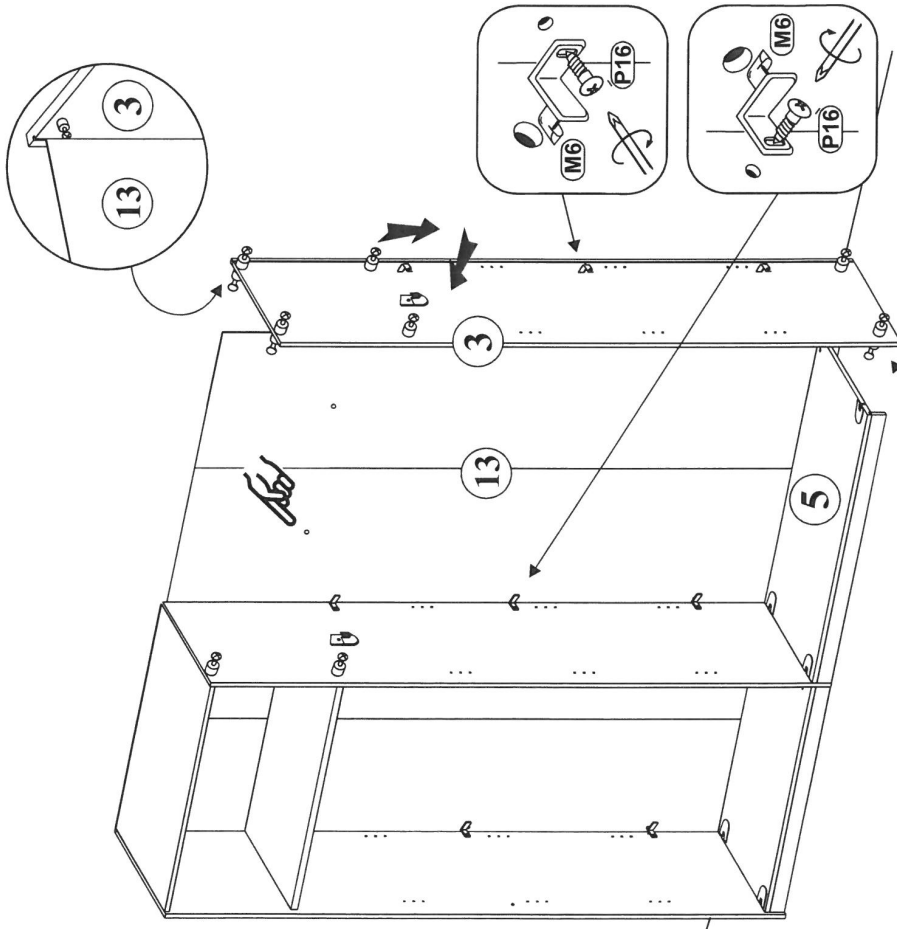
11



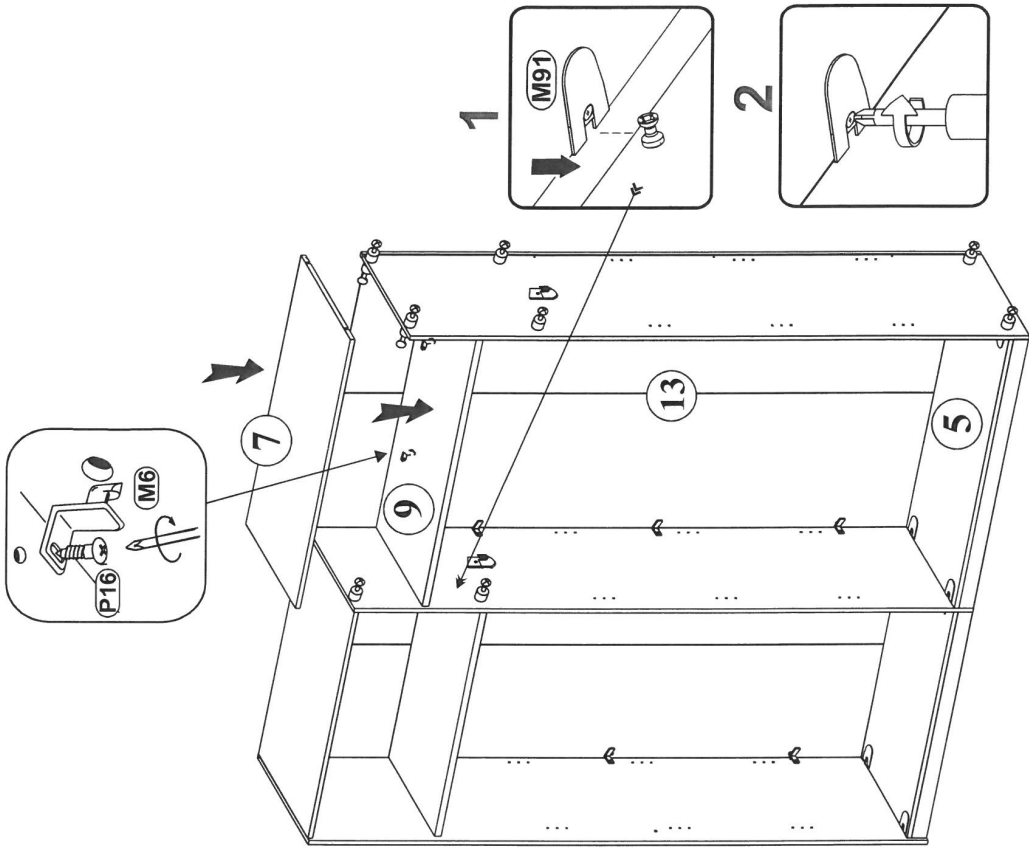
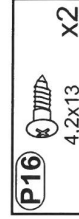
12



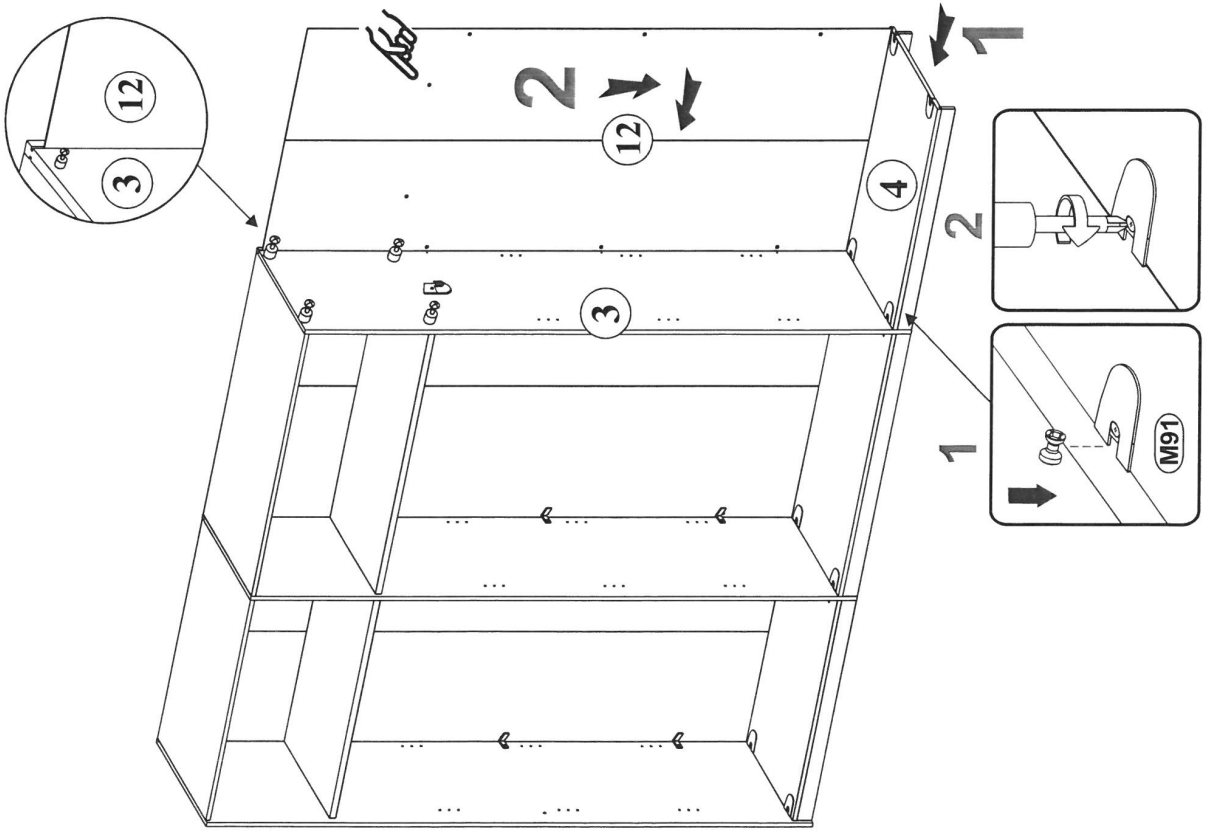
13



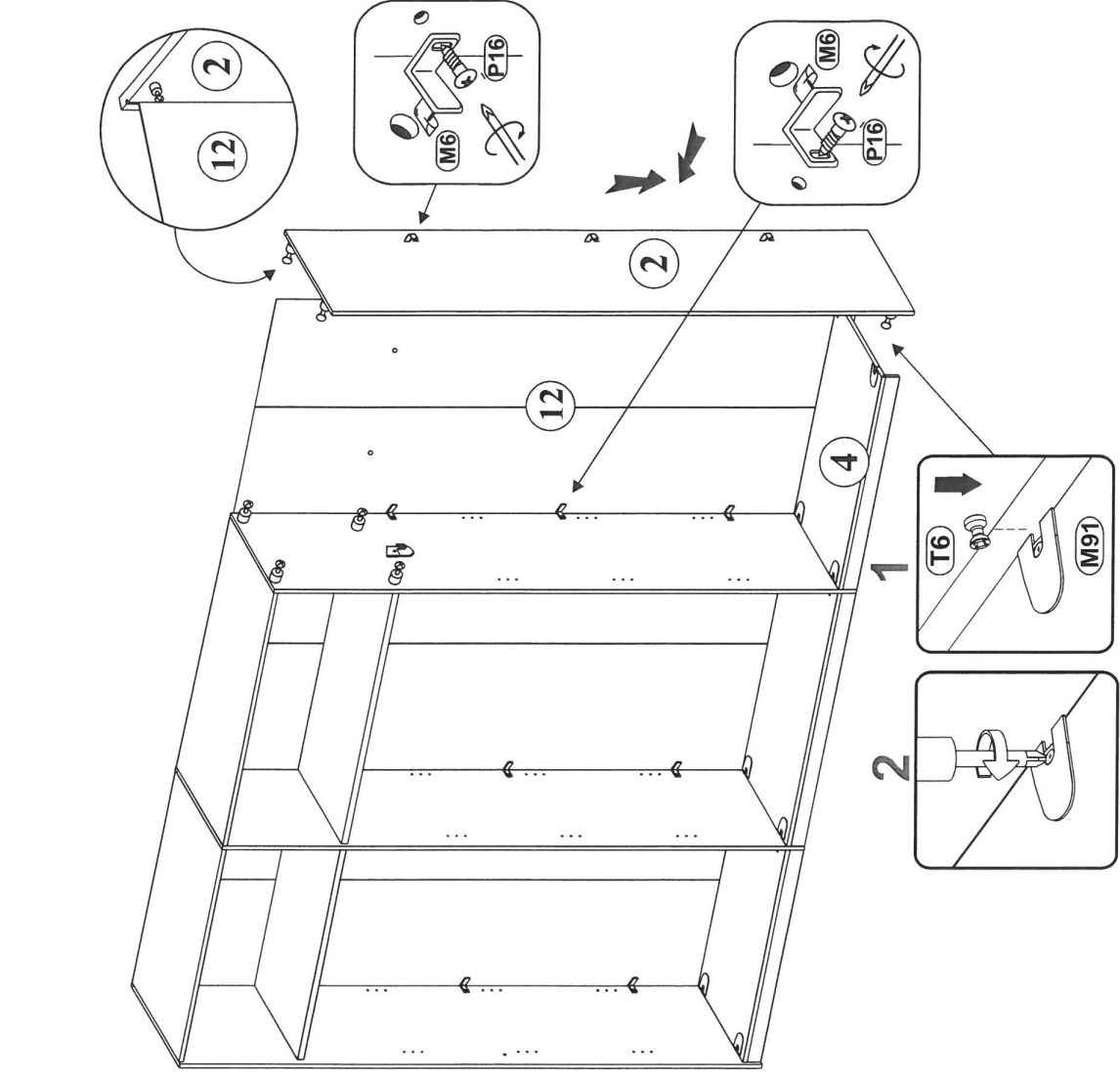
14



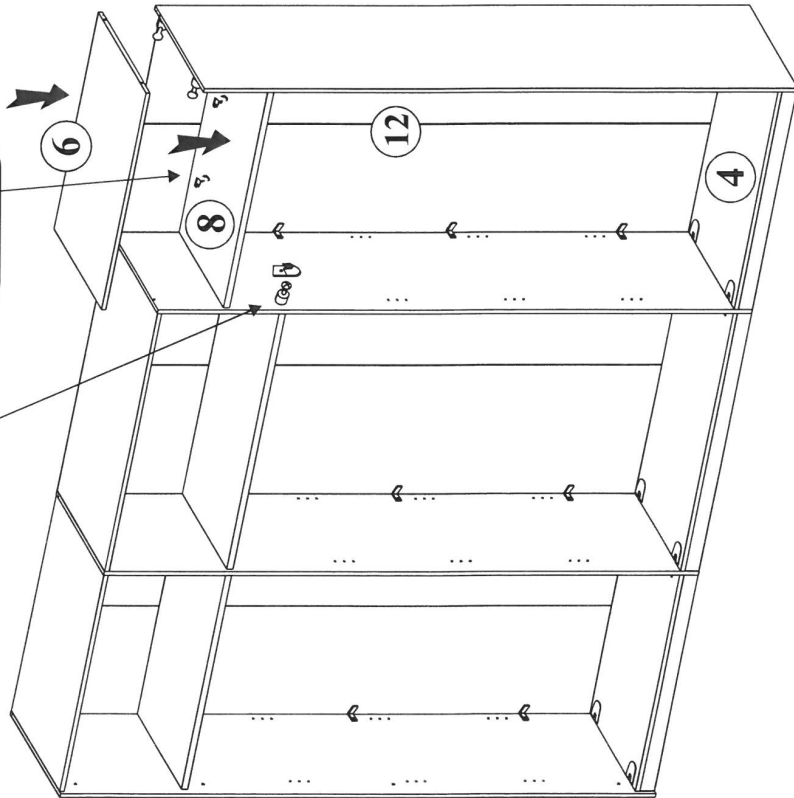
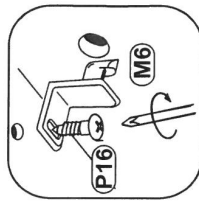
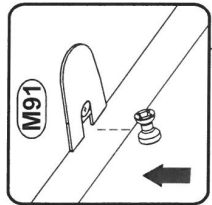
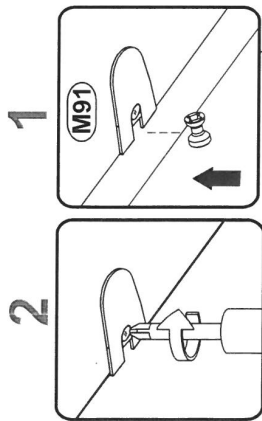
15



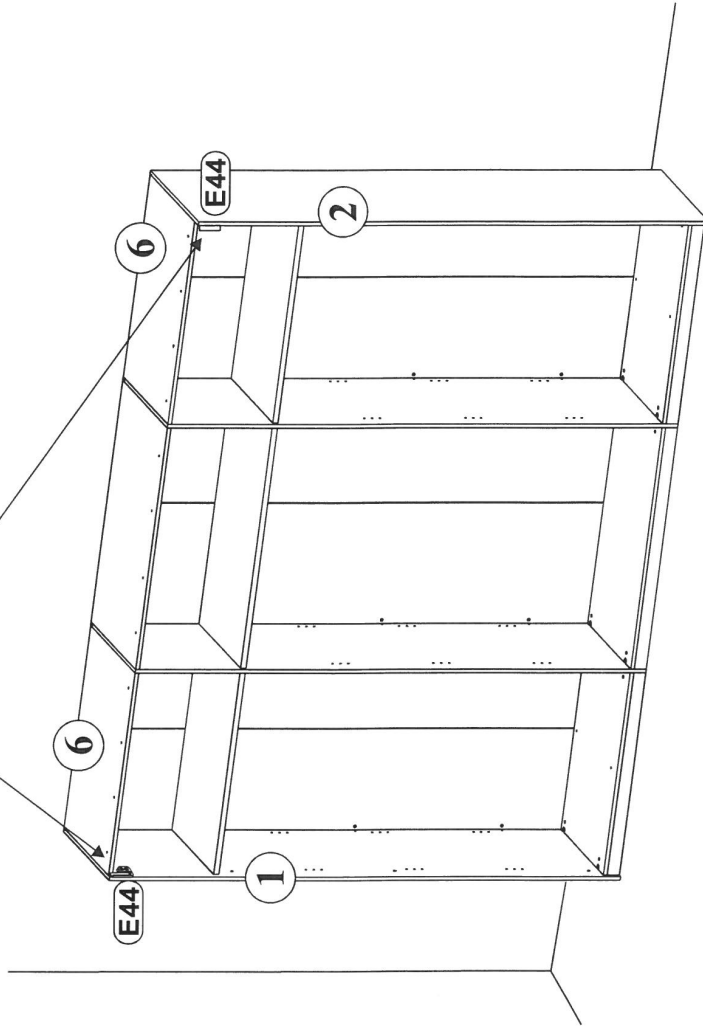
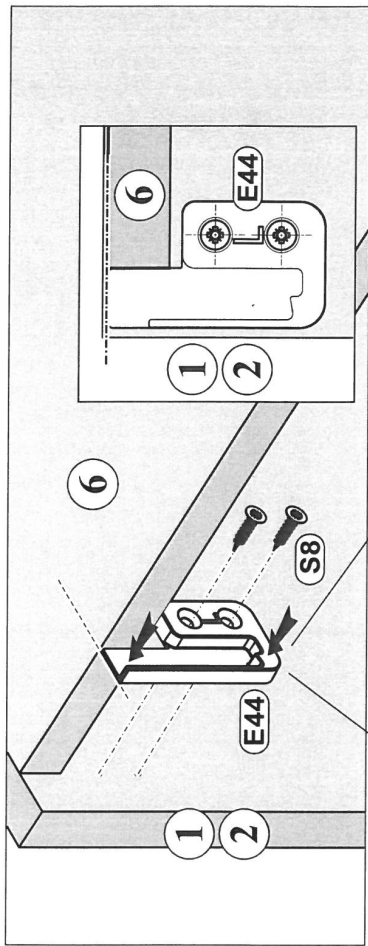
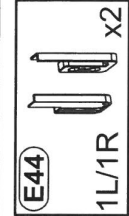
16



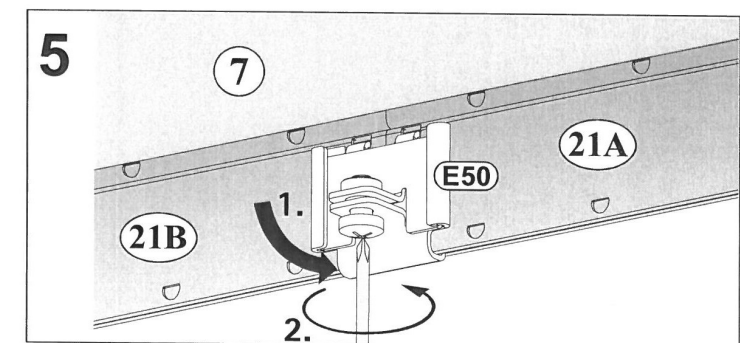
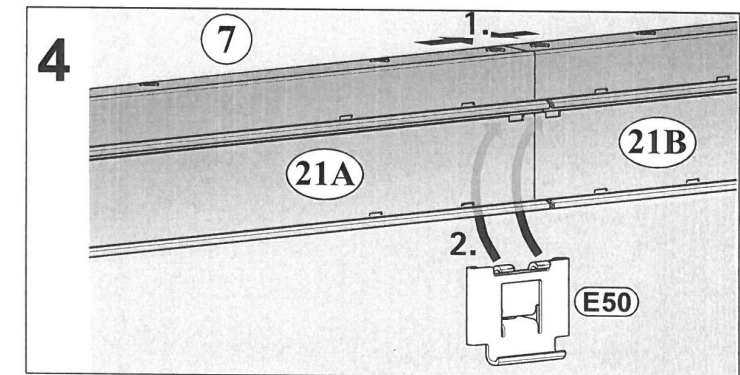
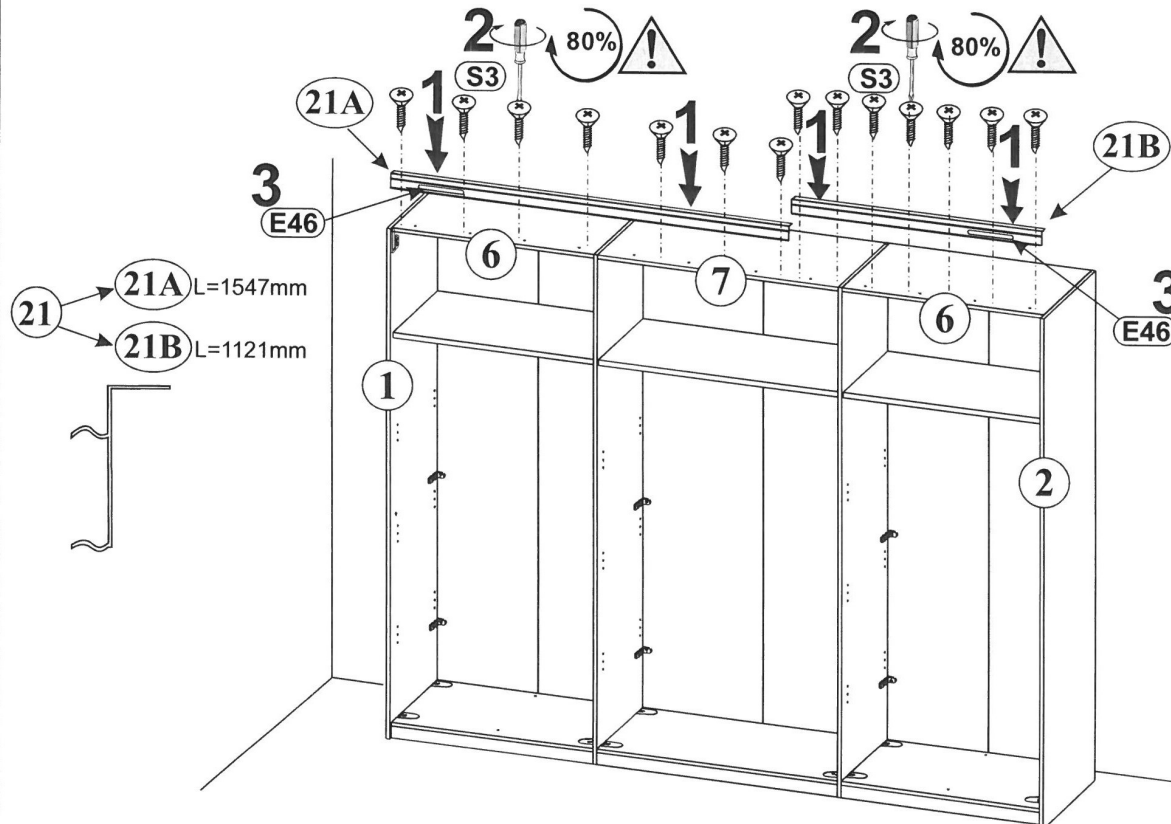
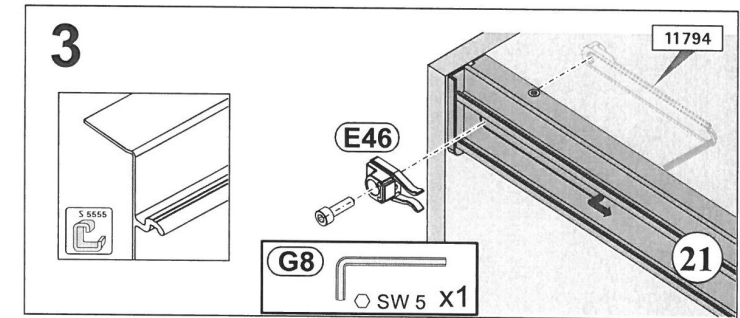
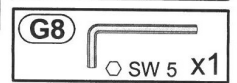
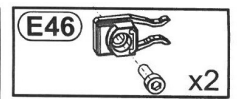
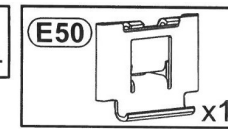
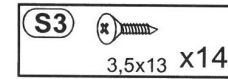
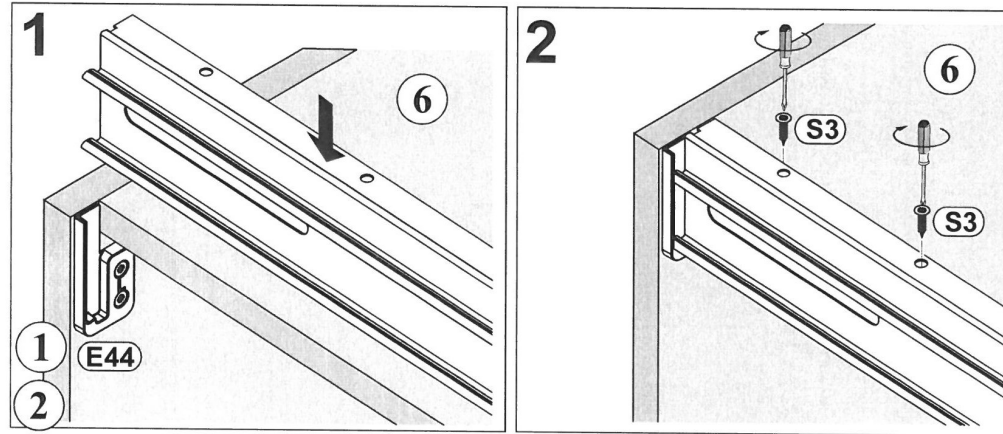
17



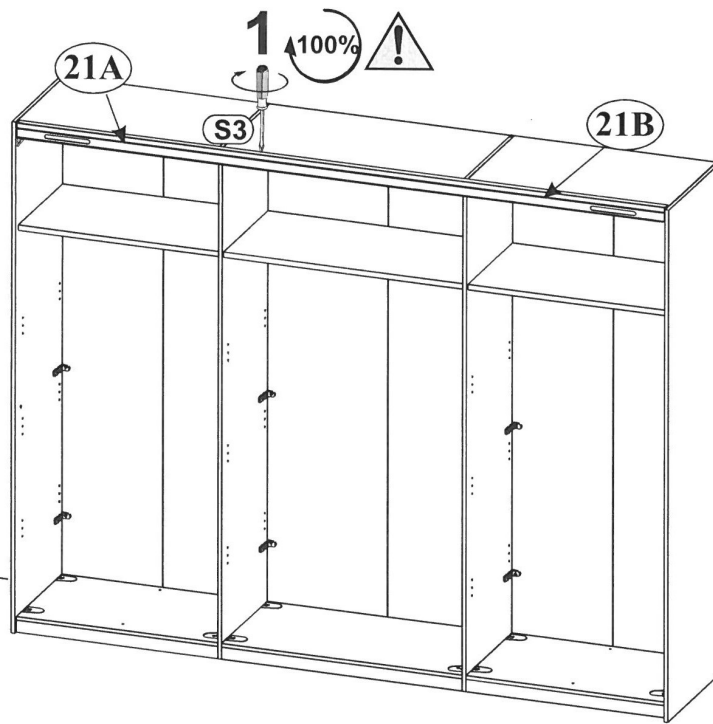
18



19



20



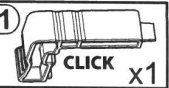
(E53) + (E54)

(E54)

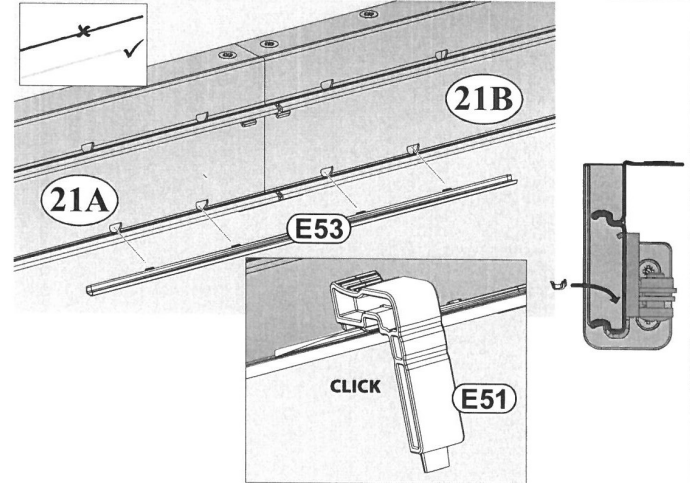
(E53)

x1+1

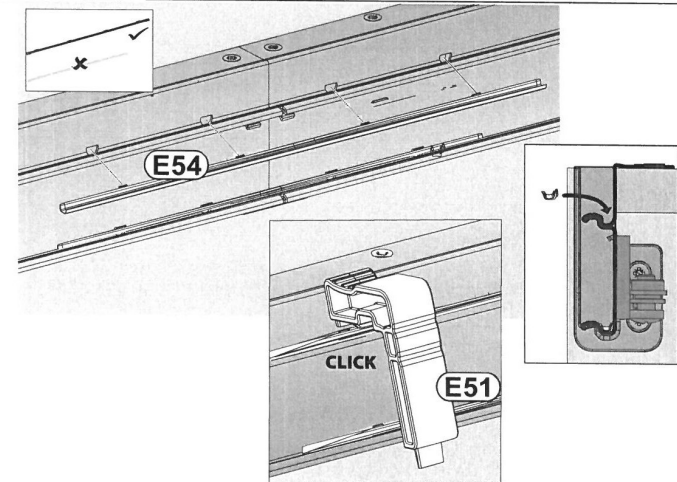
(E51)



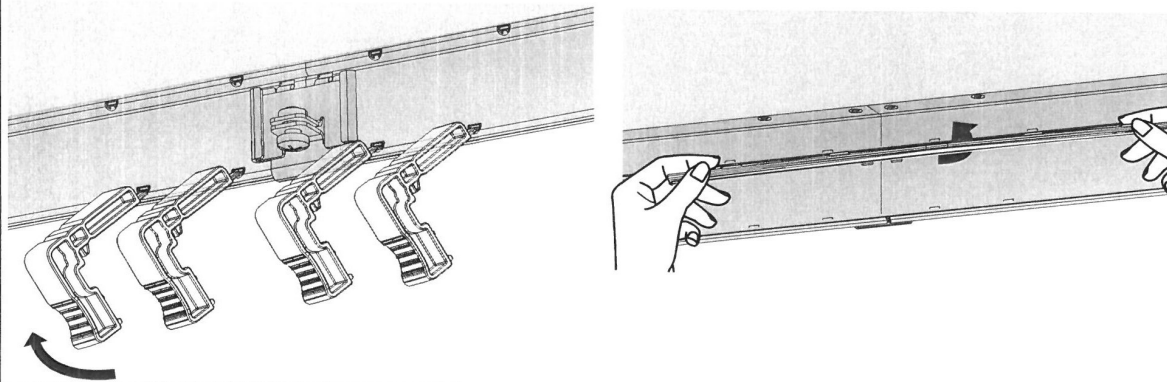
2



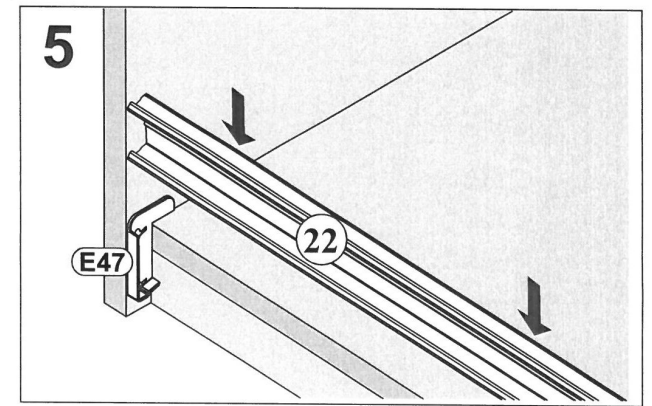
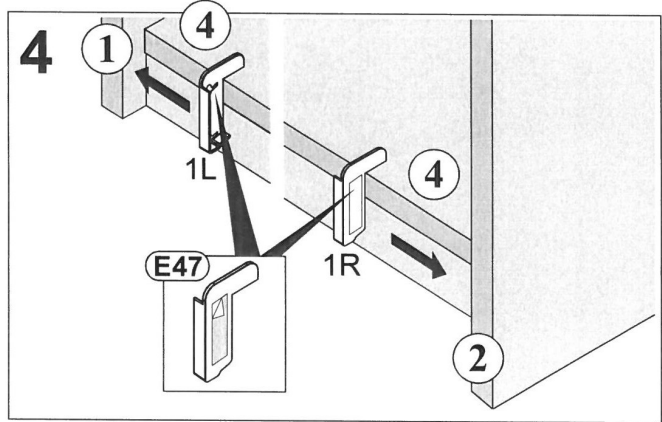
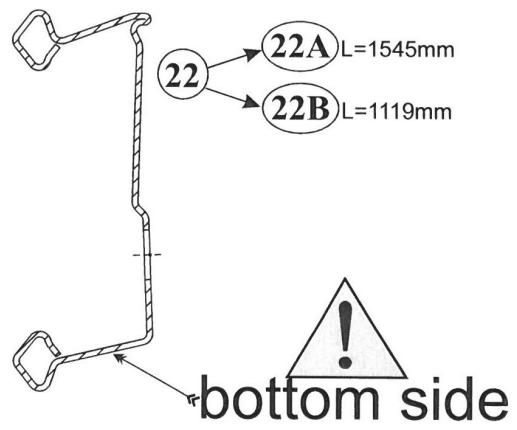
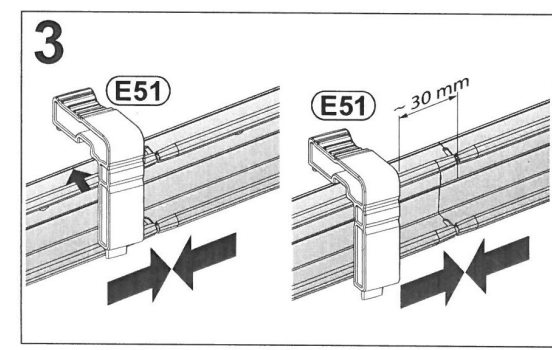
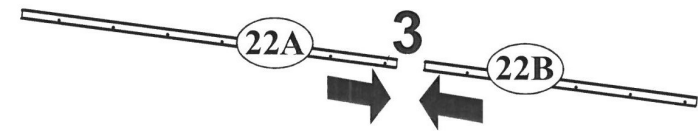
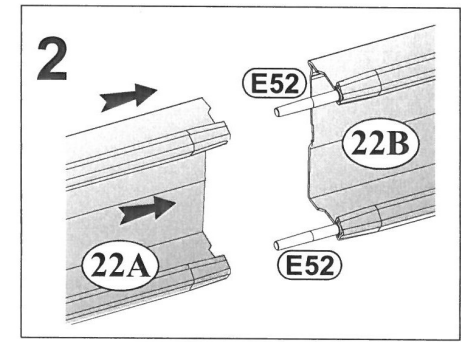
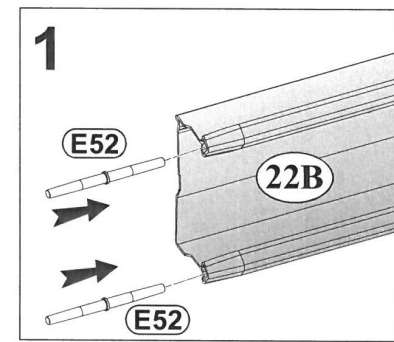
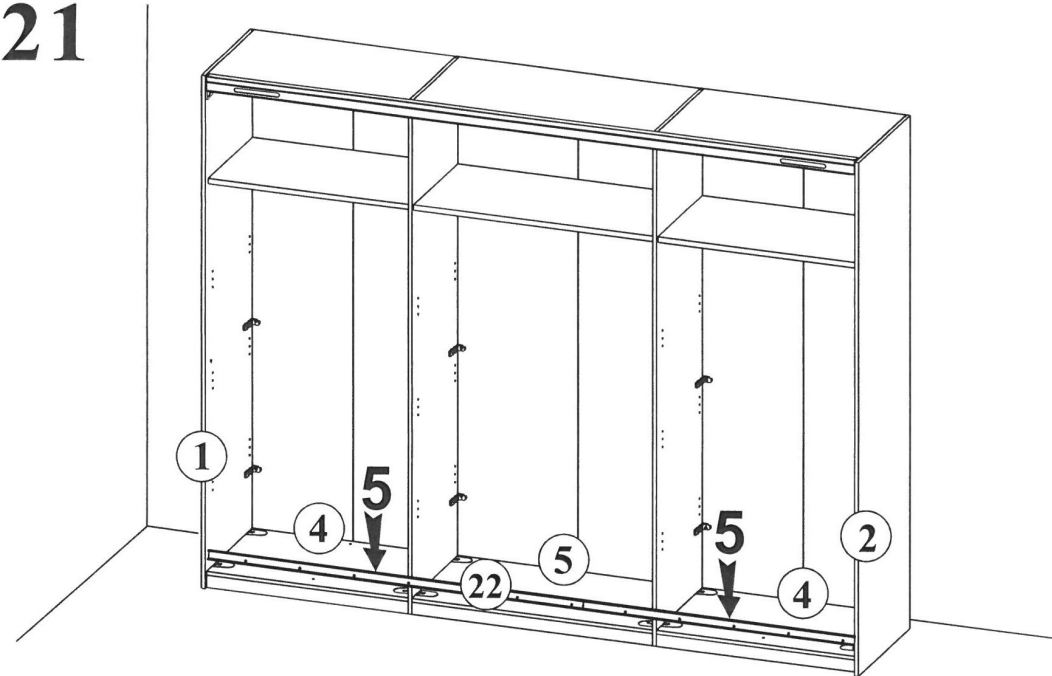
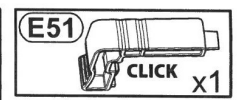
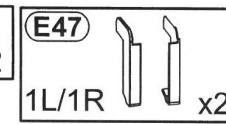
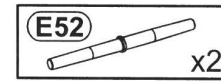
3



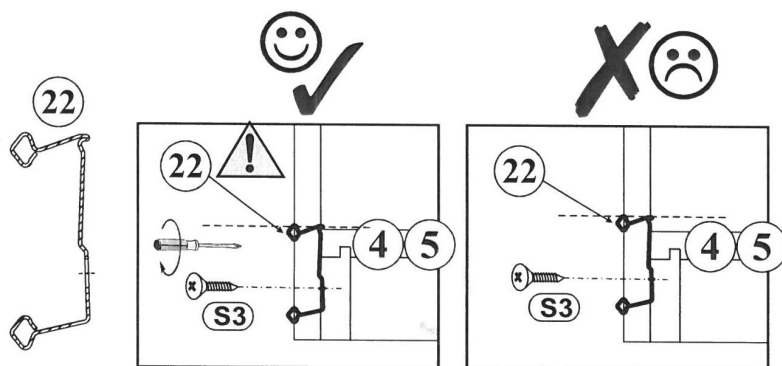
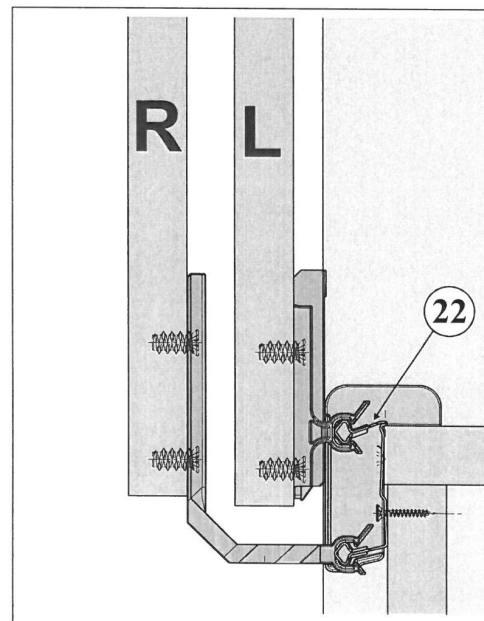
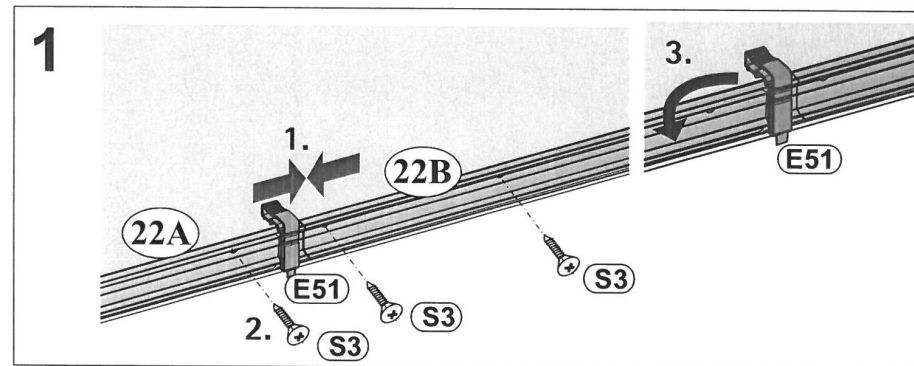
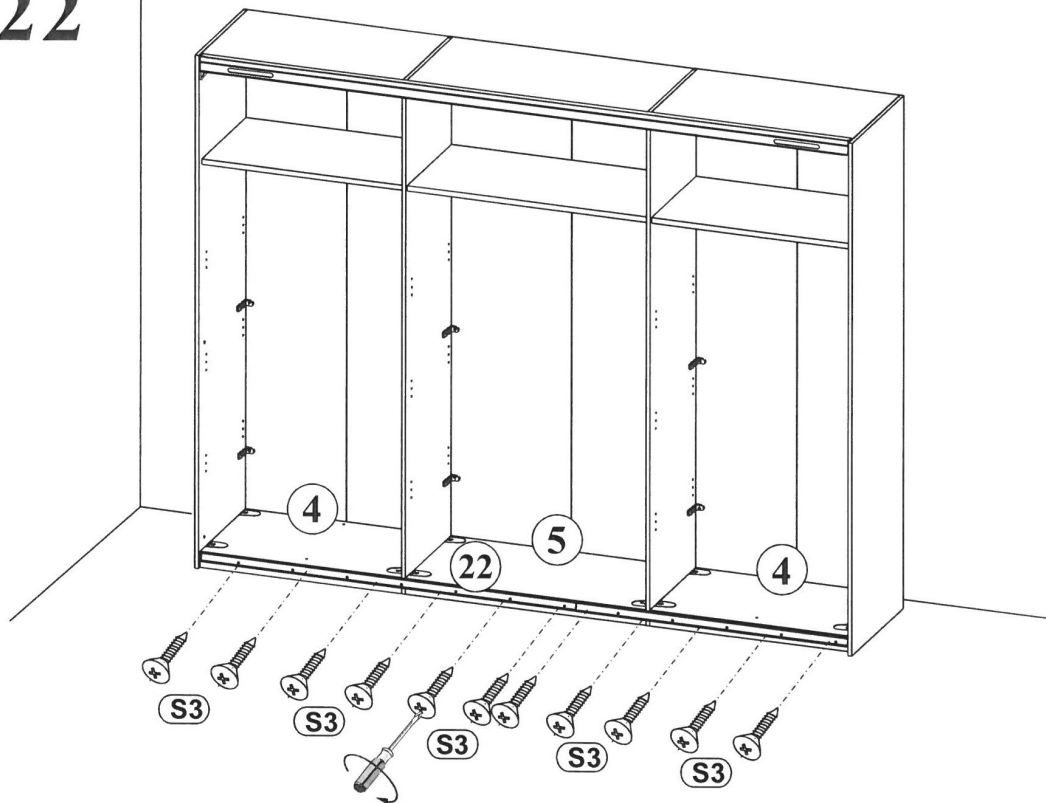
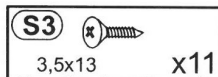
info



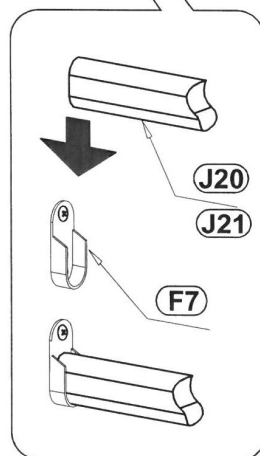
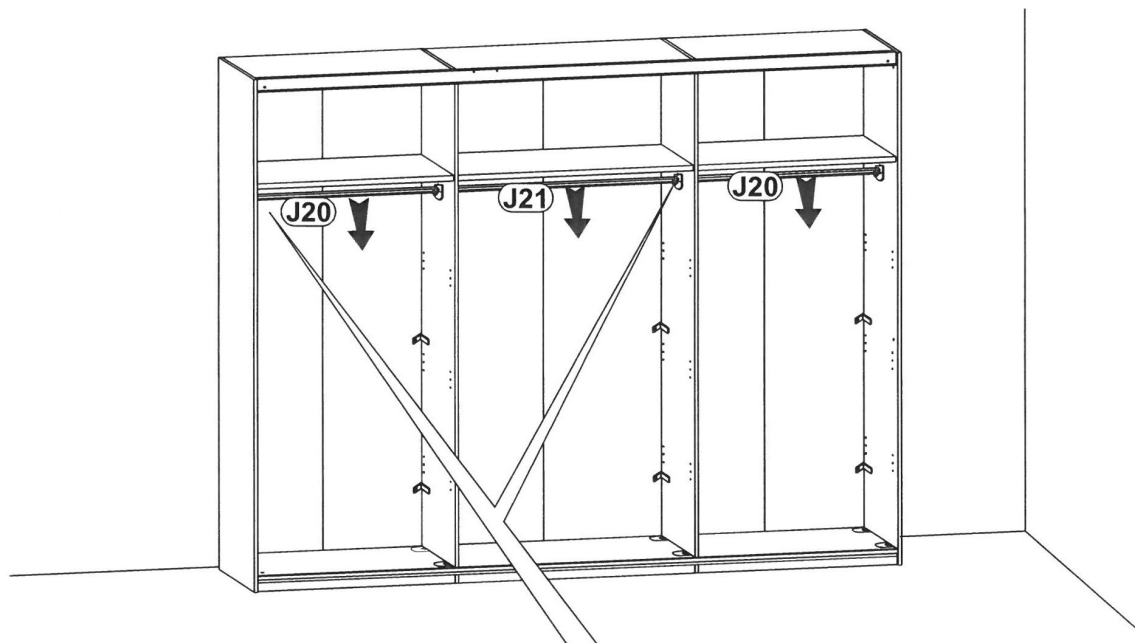
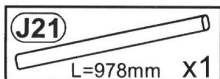
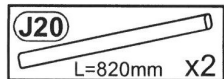
21



22

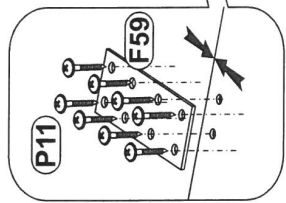
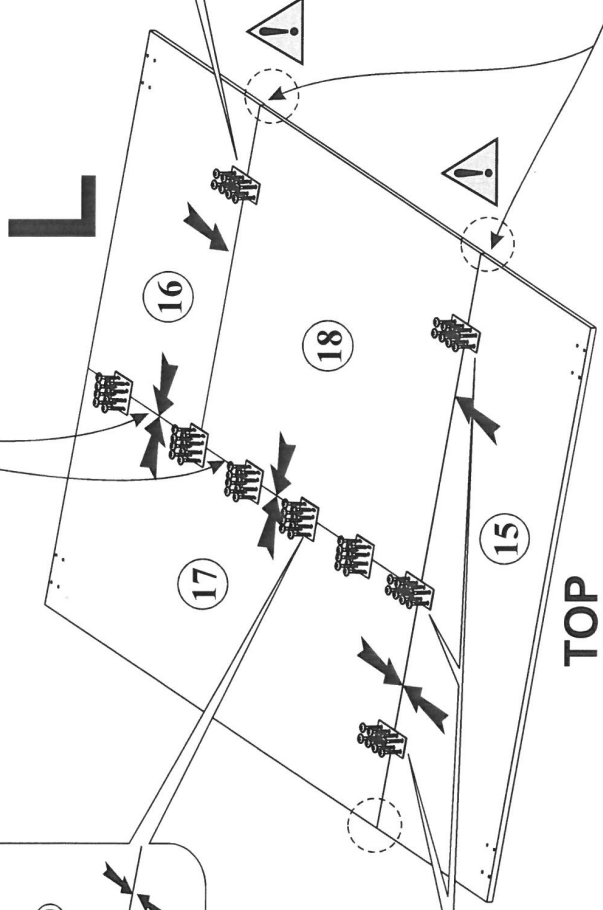
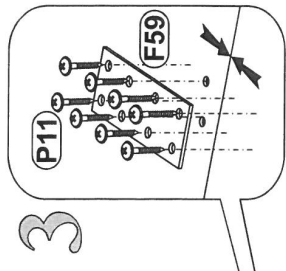
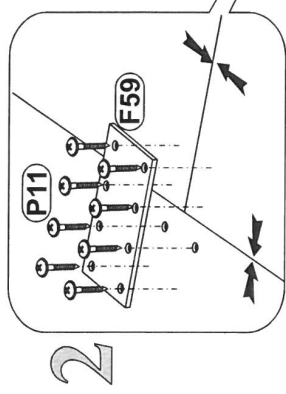
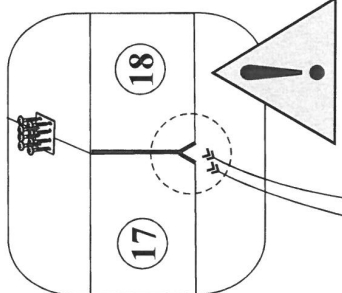


23

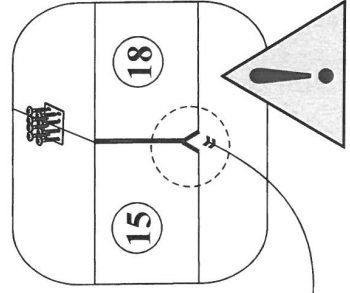


24


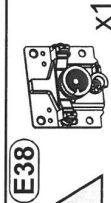
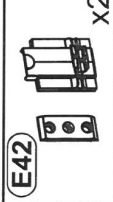
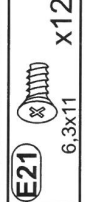
- F59** 110x50x1,5 x9
- P11** 4x13 x72

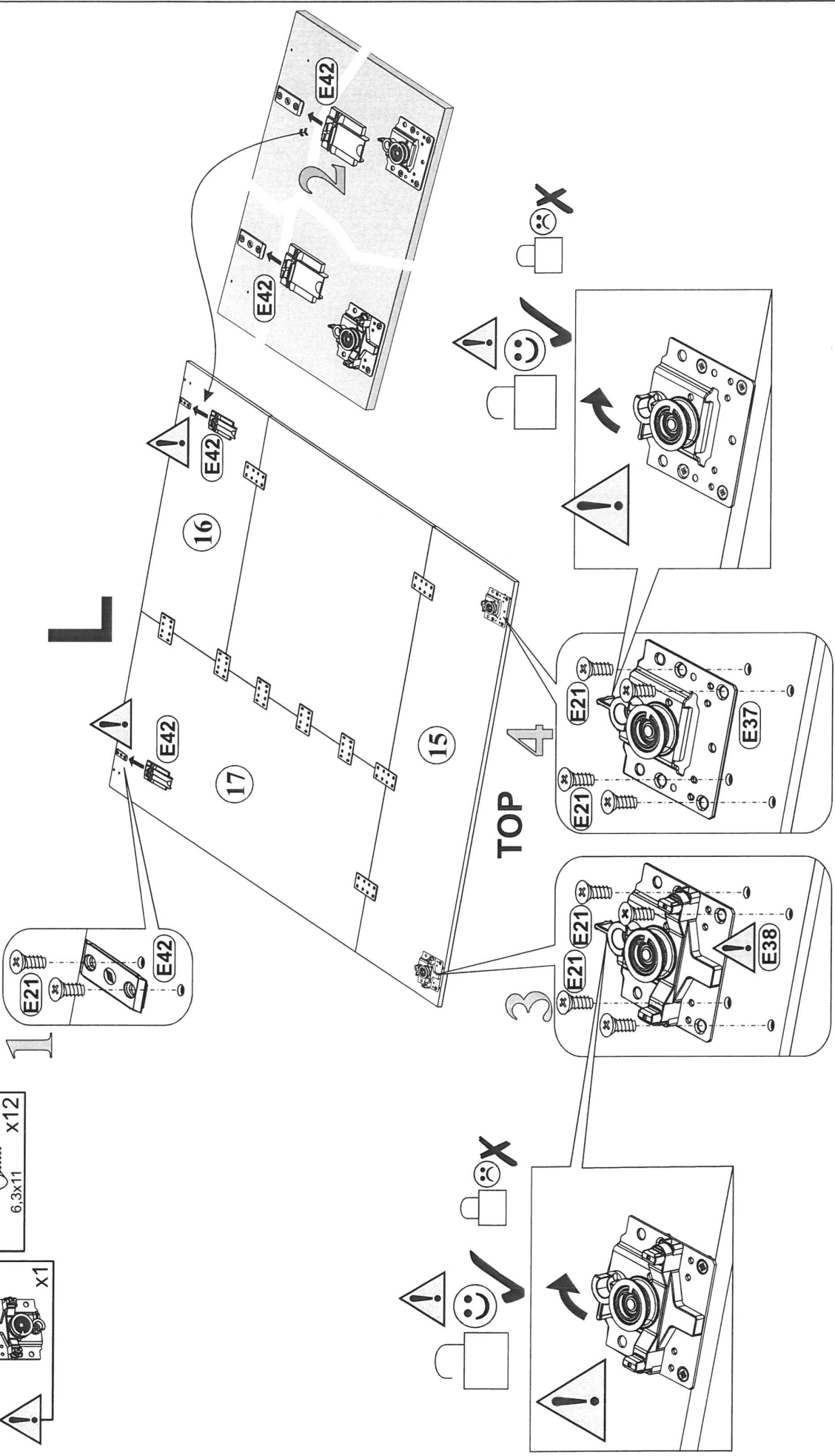


1

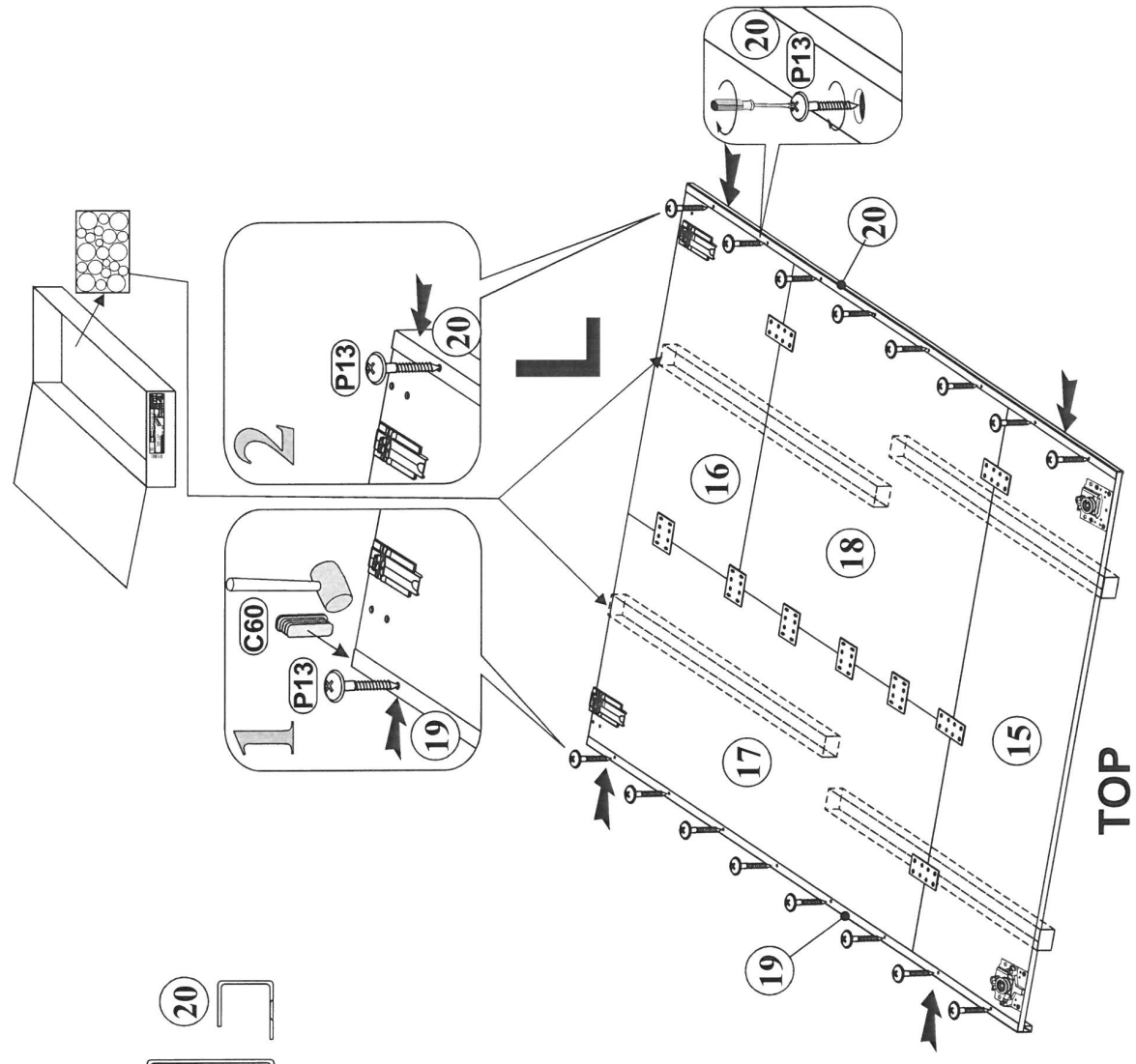
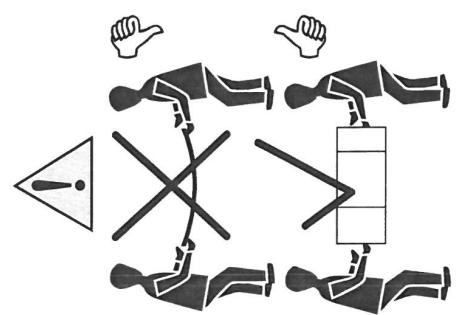
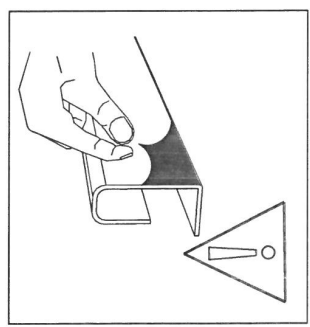
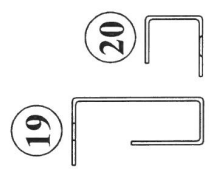
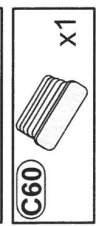


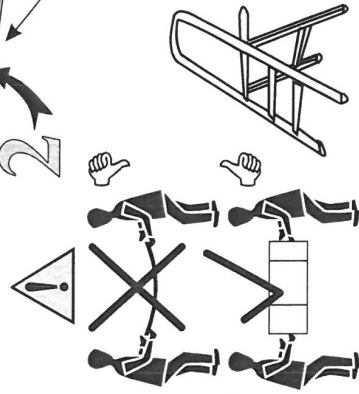
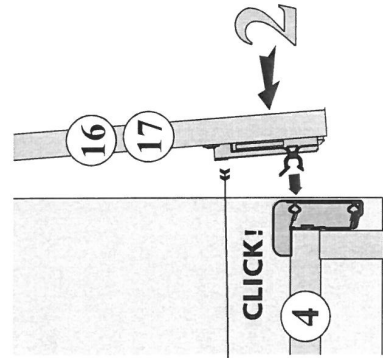
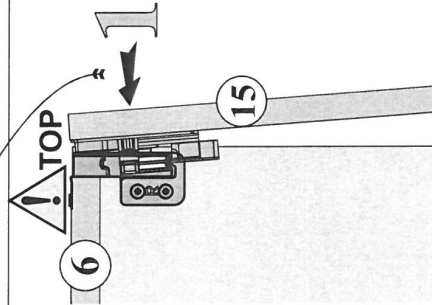
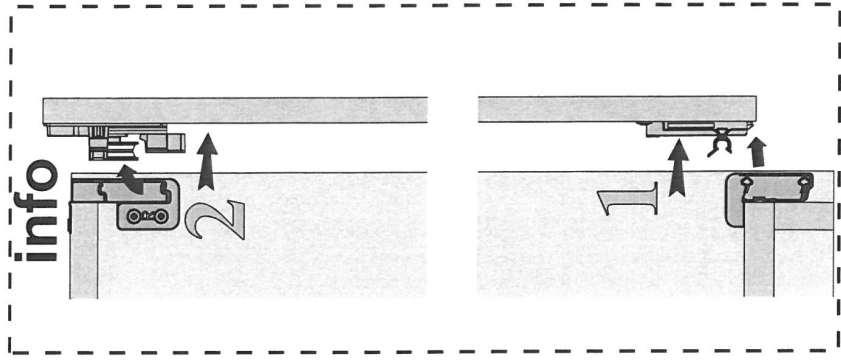
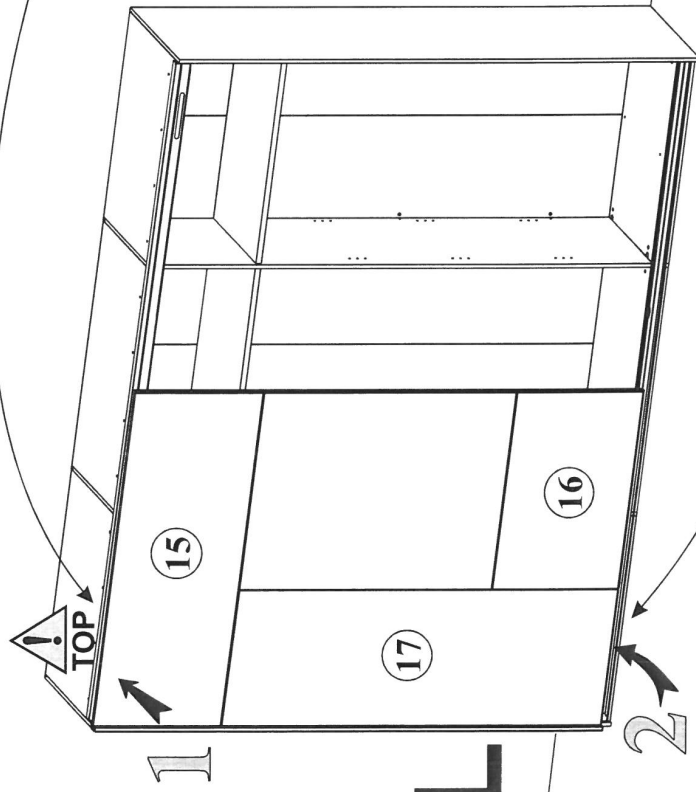
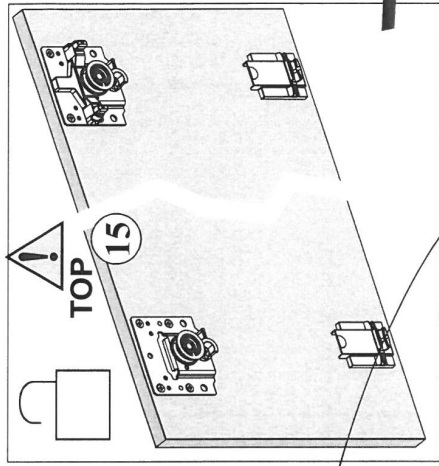
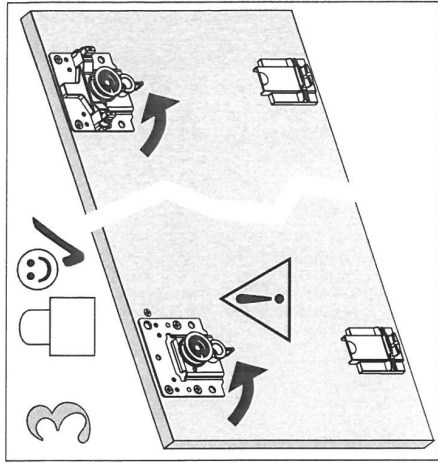
25

-  E37 x1
-  E38 x1
-  E42 x2
-  E21 6.3x11 x12

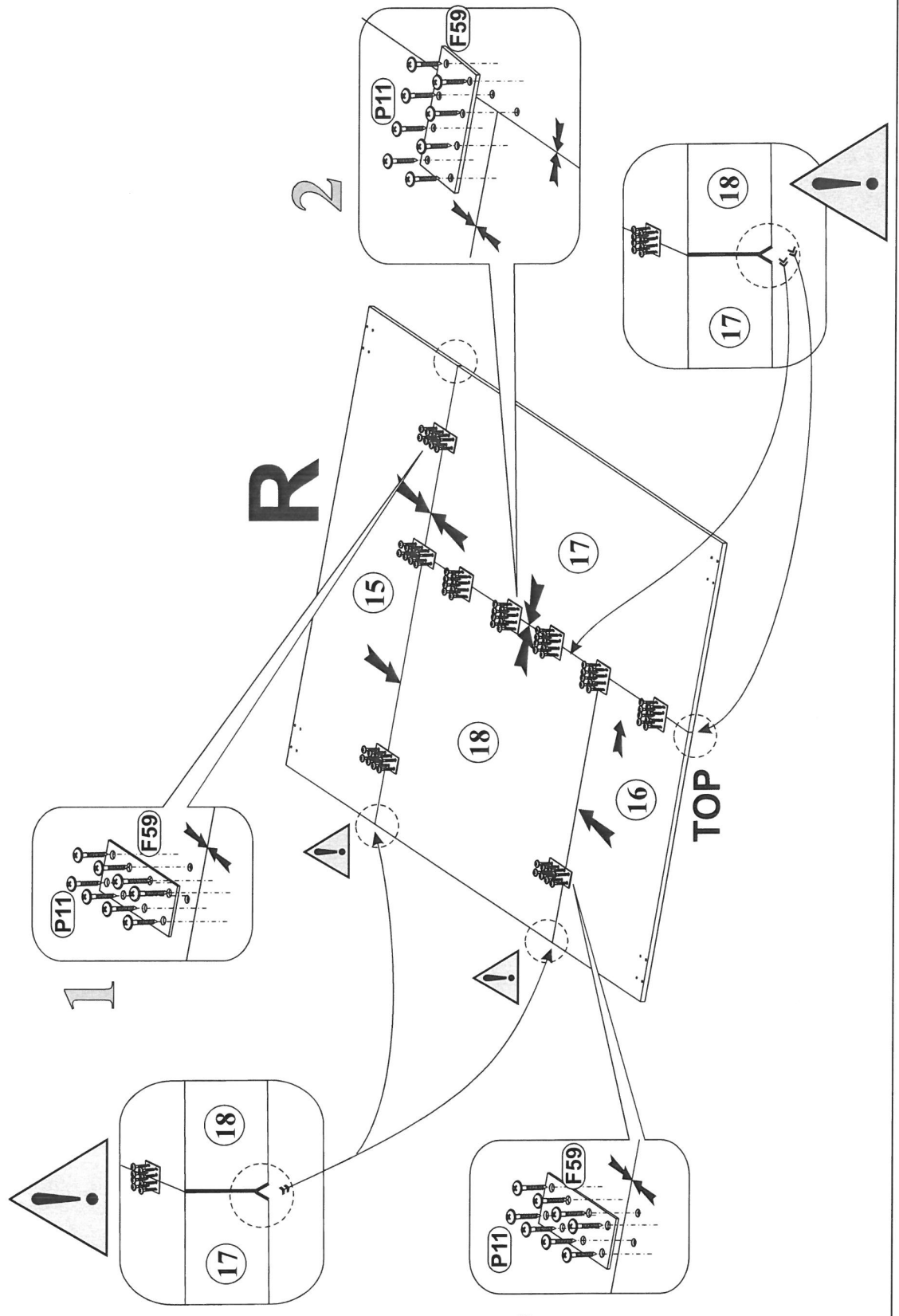
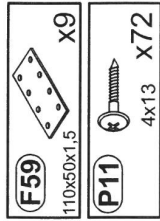


26

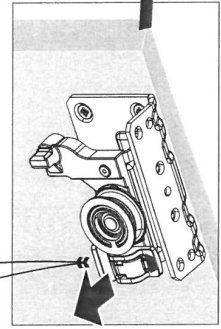
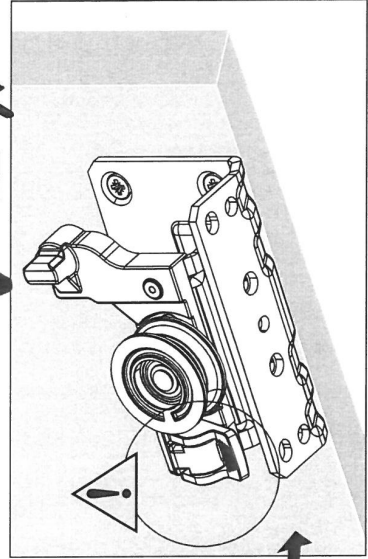
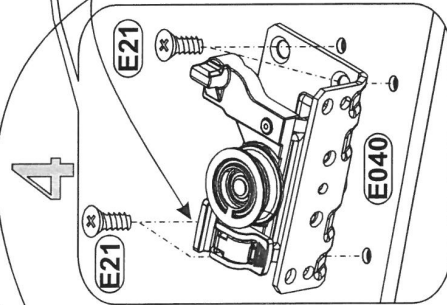
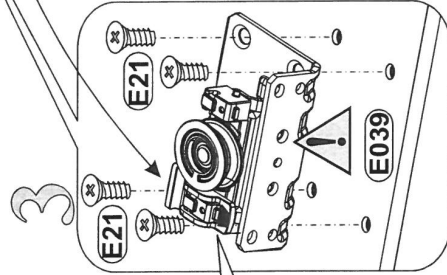
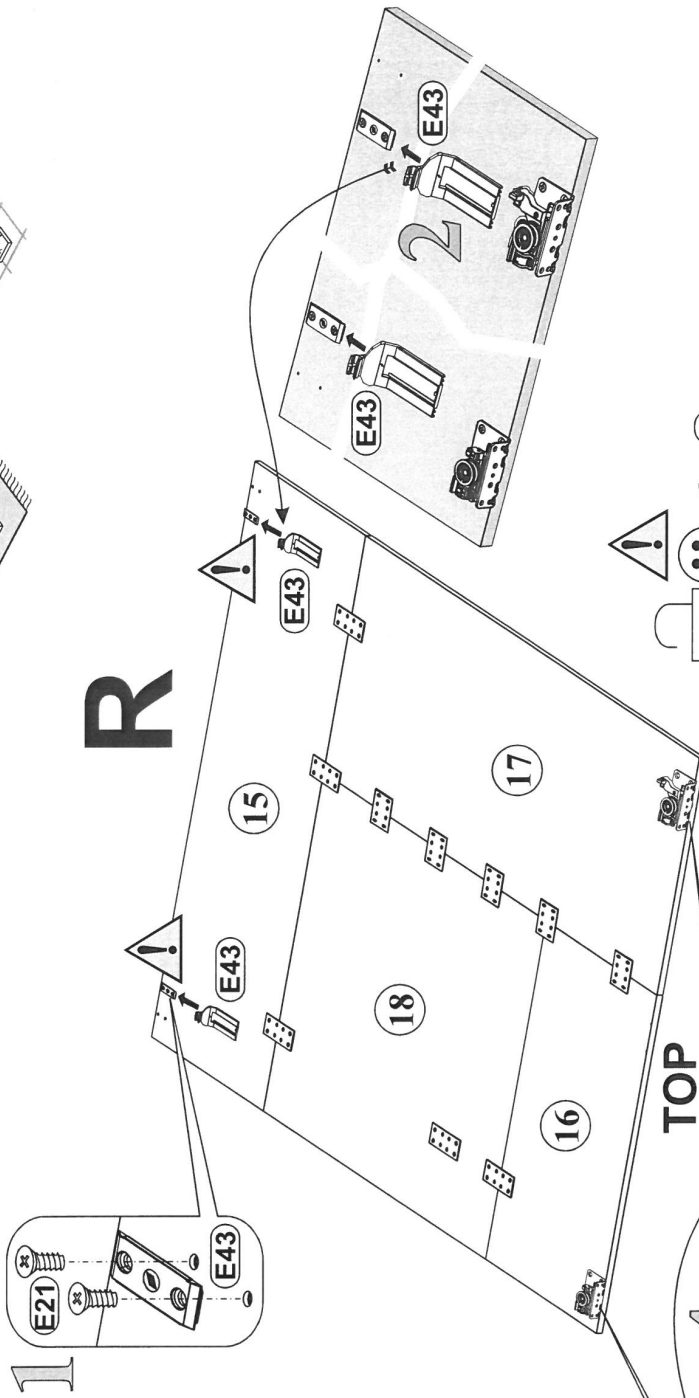
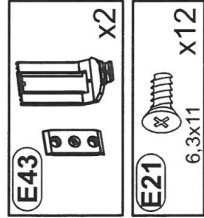
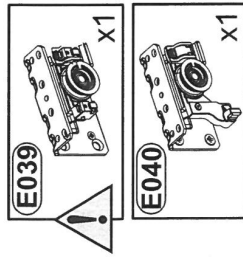







28

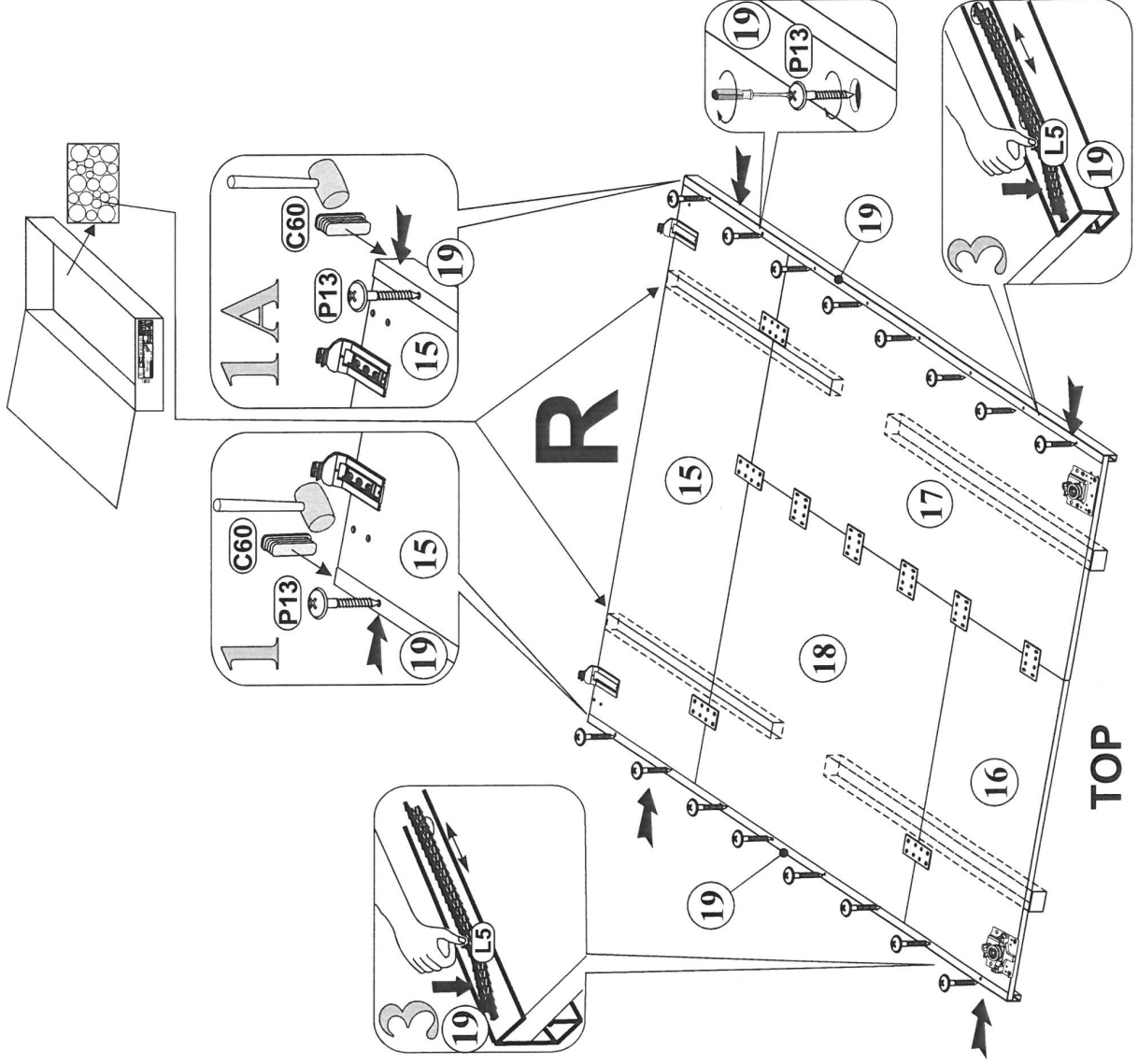
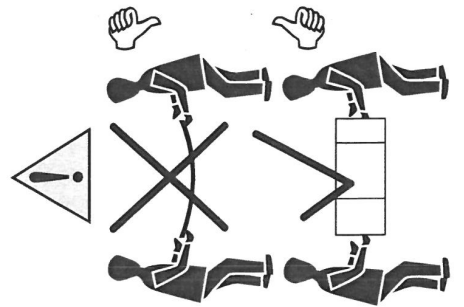
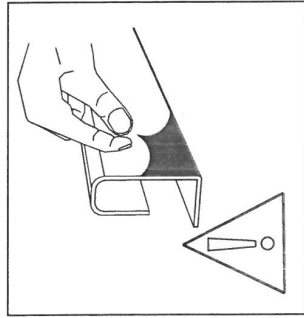
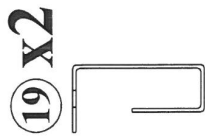


29

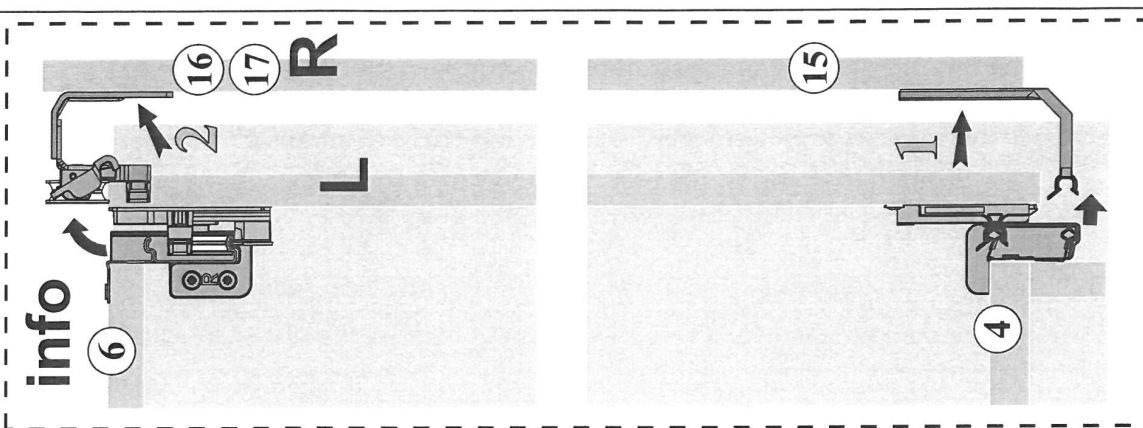
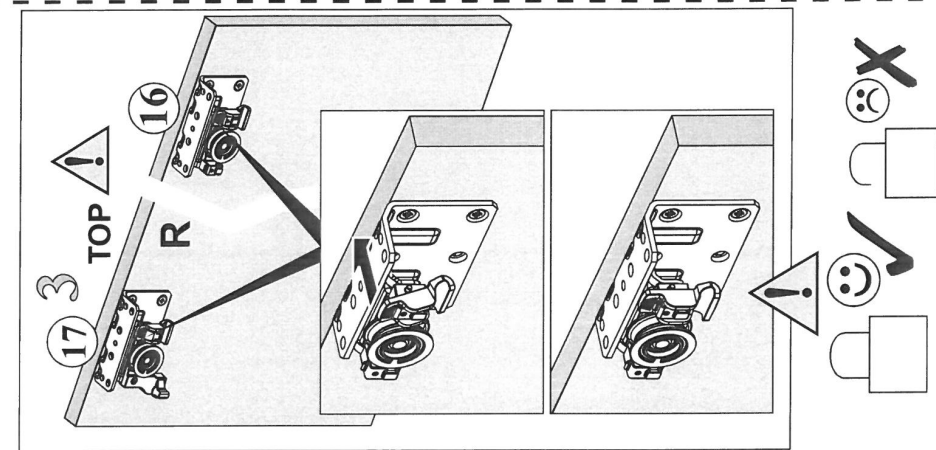
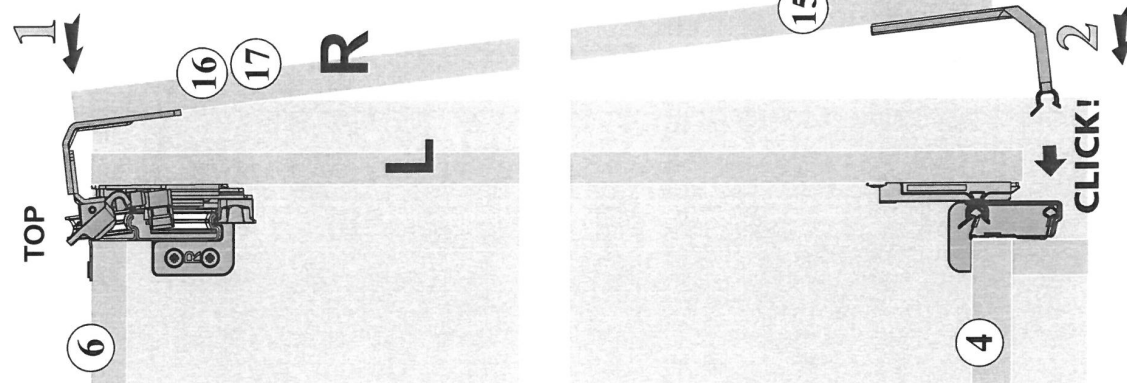
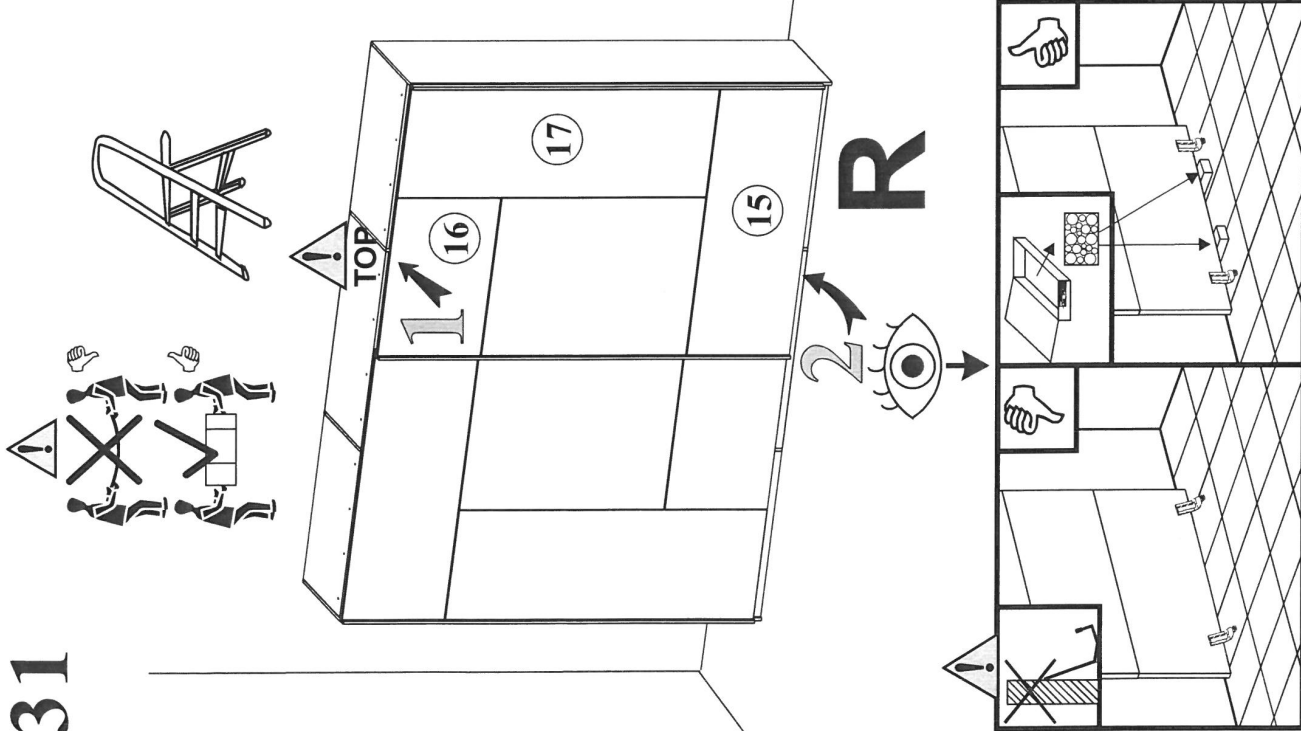


30

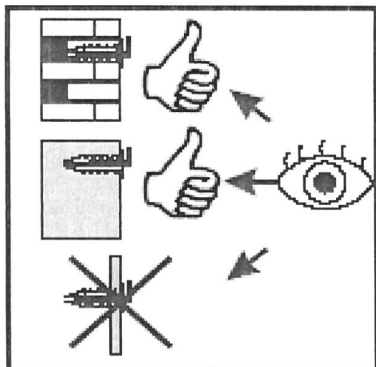
- P13**  3,5x13 X16
- L5**  L=2050 mm X2
- C60**  X2



31



32



- J11** x2
- P13** 3,5x13 x4
- T13** 8x50 mm x2
- T14** 6x50 mm x2
- L4** x4

